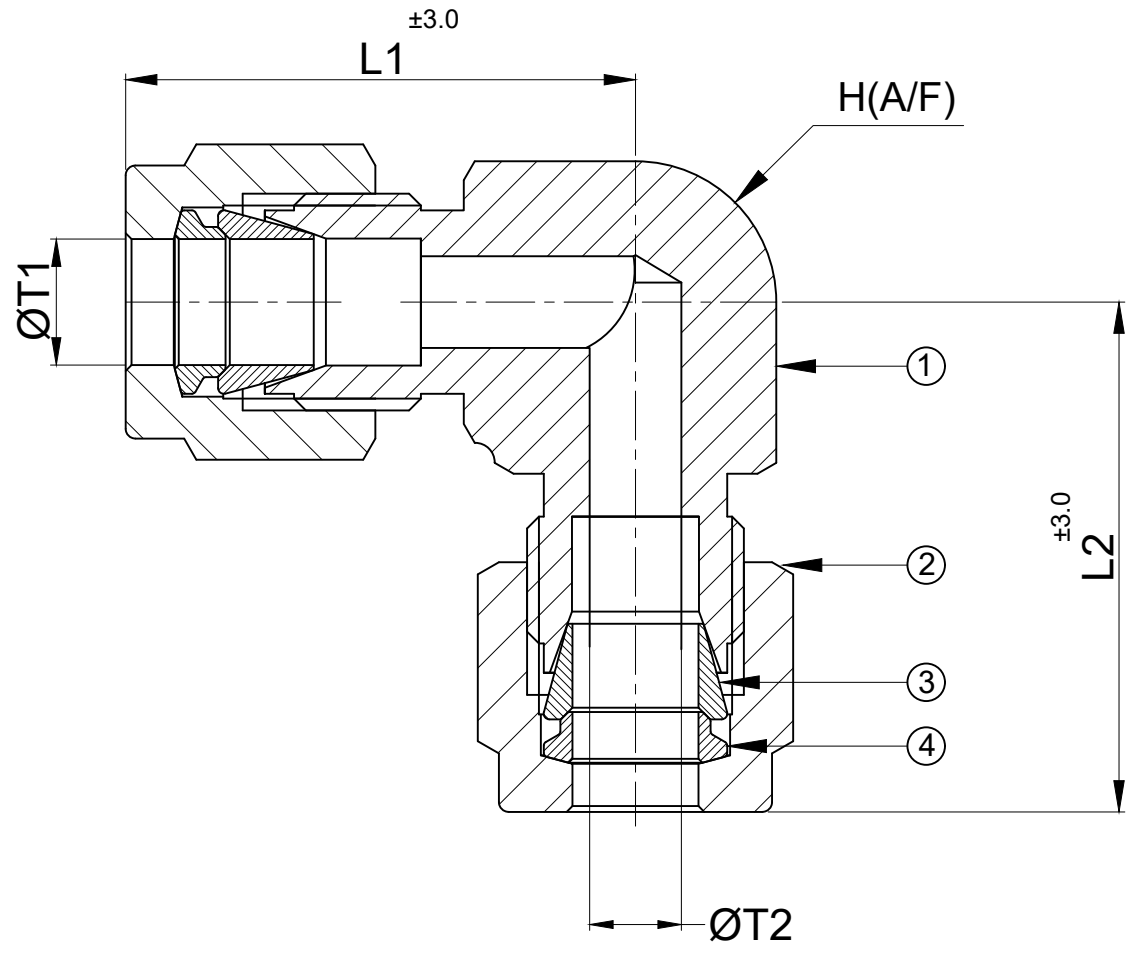


Sr No	MODEL NO.	ØT1	ØT2	L1 (± 3.0)	L2 (± 3.0)	H
1	4RUE2	1/4"	1/8"	29.5	28.5	15



SR NO	DESCRIPTION	QTY	MATERIAL
1	BODY	1	SS 316
2	NUT	2	SS 316
3	FRONT FERRULE	2	SS 316
4	BACK FERRULE	2	SS 316

NOTE:-
 # NPT THREAD AS PER ANSI B 1.20.1.
 # MARKED DIMENSION IS IN FINGER TIGHT POSITION.

PART NAME : REDUCING UNION ELBOW TUBE OD x TUBE OD				CUSTOMER NAME:-			
DWG NO : GA-4RUE2-S6				PROJECT NAME:-			
MATERIAL : SS 316				PO NO:			
DRAWN BY : PG				ENQ NO:- EN2223/01092			
CHECKED BY : MC				SHEET NO: 01 OF 01			
APPROVED BY : SRD				SO NO:			
SIGN		DATE		SIGN		DATE	
www.havi.in		info@havi.in		* All dimensions are in mm. Dimensions for reference only and are subject to change without notice		REV NO: 00	
* This document is the property of Havi Engineering India Pvt. Ltd. No exploitation or release of any text contained herein or relating to this document is permitted in any form without the written consent of HAVI.						SCALE: NTS	

PATH-J:\2022-2023\EXPORT\EN222301092