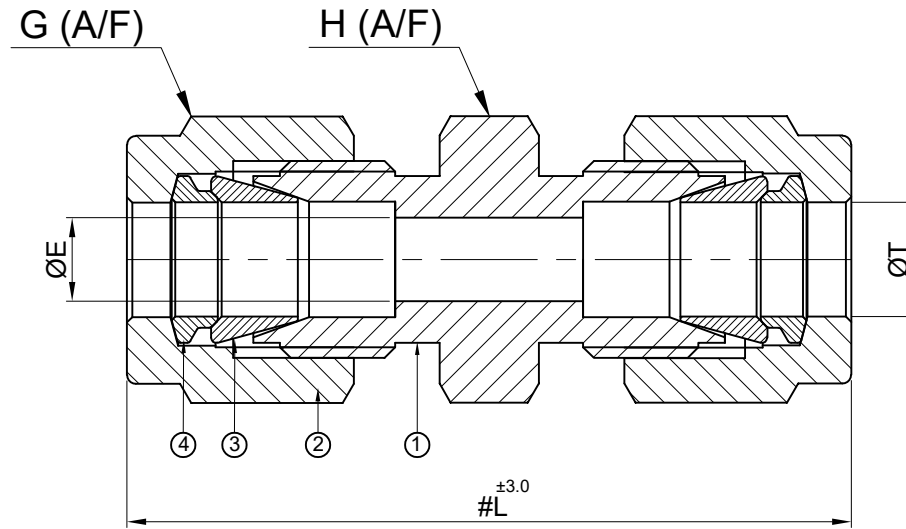


SR NO	DESCRIPTION	QTY	MATERIAL
1	BODY	1	SS 316
2	NUT	2	SS 316
3	FRONT FERRULE	2	SS 316
4	BACK FERRULE	2	SS 316



SR NO	PART NO	ØT	L	H (A/F)	G (A/F)	ØE
1	4U-S6	1/4"	41.0	14.0	14.0	4.7

NOTE:  
 • # MARKED DIMENSION IS IN FINGER TIGHT POSITION.  
 • NPT THREAD AS PER ANSI B 1.20.1.

	SIGN	DATE
DRAWN BY	VK	10.10.2022
CHECKED BY	RW	10.10.2022
APPROVED BY	SM	10.10.2022



www.havi.in  
info@havi.in

PART NAME : Union - TUBE OD x TUBE OD				CUSTOMER NAME:-			
DWG NO : GA-U-S6				PROJECT NAME:-			
MATERIAL : SS 316				PO NO:-			
				ENQ NO: EN2223/00764			
				SO NO: -			
REV NO	DESCRIPTION	SIGN	DATE	* All dimensions are in mm. Dimensions for reference only and are subject to change without notice * This document is the property of Havi Engineering India Pvt. Ltd. No exploitation or release of any text contained herein or relating to this document is permitted in any form without the written consent of HAVI.			
				REV NO: 00			
				SCALE: NTS			

PATH: X:\2022-2023\EXPORT\EN222300764\GAD FOR CLIENT