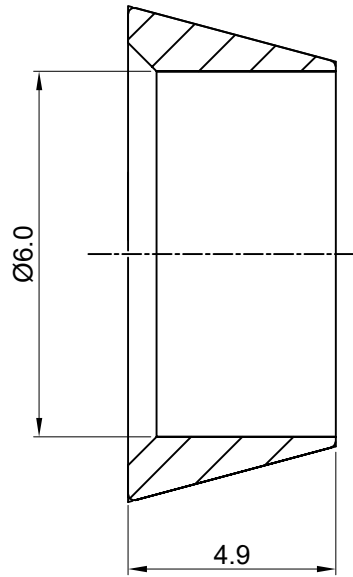
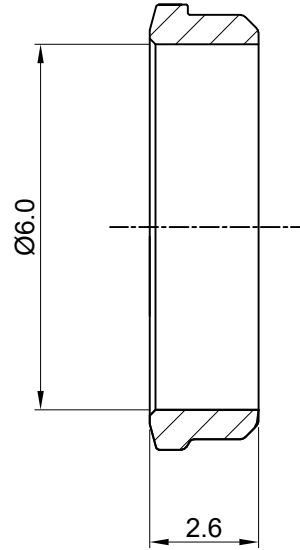


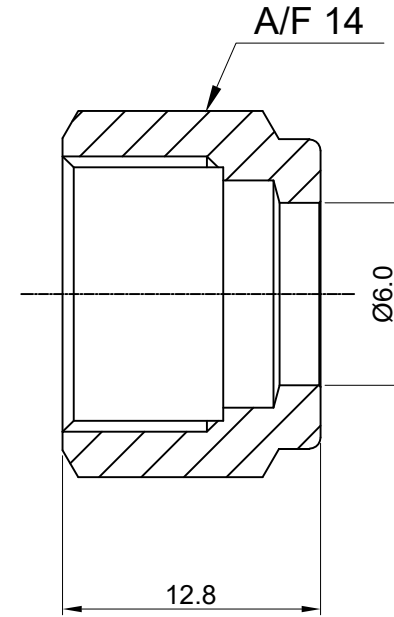
SR NO 1



FRONT FERRULE



BACK FERRULE



NUT

NOTE:

- # MARKED DIMENSION IS IN FINGER TIGHT POSITION.
- NPT THREAD AS PER ANSI B 1.20.1.

	SIGN	DATE
DRAWN BY	VK	22.01.2023
CHECKED BY	SB	22.01.2023
APPROVED BY	SD	22.01.2023



PART NAME : 12mm Back Ferrule, Front Ferrule & Nut				CUSTOMER NAME:-	
DWG NO : 6MBFFFN-S6				PROJECT NAME:-	
MATERIAL : SS 316				PO NO:-	
ENQ NO: EN2223/01100				SHEET NO: 01 OF 01	
SO NO: -				REV NO: 00	
SCALE: NTS					

\* All dimensions are in mm. Dimensions for reference only and are subject to change without notice  
 \* This document is the property of Havi Engineering India Pvt. Ltd. No exploitation or release of any text contained herein or relating to this document is permitted in any form without the written consent of HAVI.

PATH - T:\2022-2023\EXPORT\EN222301100\IGAD

J  
I  
H  
G  
F  
E  
D  
C  
B  
A