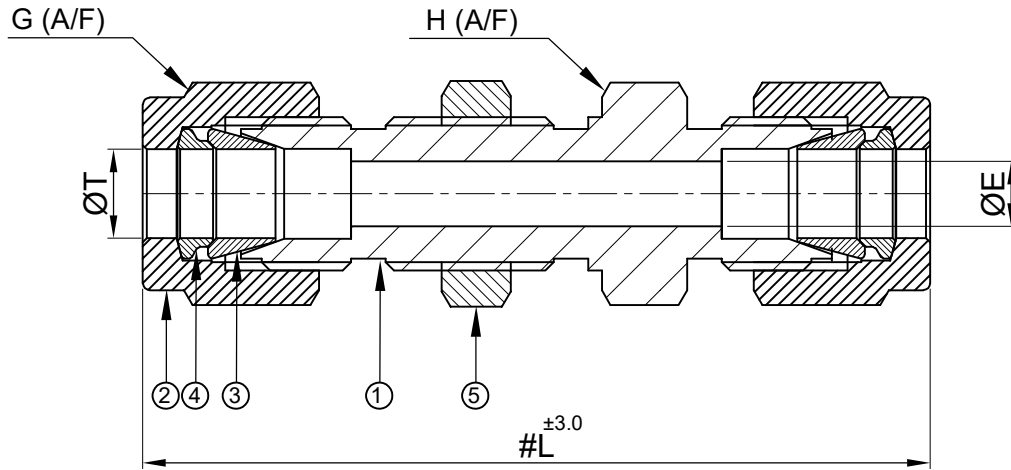



SR NO	DESCRIPTION	QTY	MATERIAL
1	BODY	1	SS 316
2	NUT	2	SS 316
3	FRONT FERRULE	2	SS 316
4	BACK FERRULE	2	SS 316
5	BULKHEAD NUT	1	SS 316



SR NO	PART NO	T	L	H (A/F)	G (A/F)	ØE	Pressure Rating (Psig)	Temperature Range
5	6MBU-S6	6mm	57.6	14.0	14.0	4.2	6000 Psig	-192°C to 649°C

PATH:-X:\2022-2023\EXPORT\EN222301201\CAD

NOTE:  
 • # MARKED DIMENSION IS IN FINGER TIGHT POSITION.  
 • NPT THREAD AS PER ANSI B 1.20.1.

PART NAME : BULKHEAD UNION- ODT X ODT				CUSTOMER NAME:-			
DWG NO : GA-BU-S6-N				PROJECT NAME:-			
MATERIAL : SS 316				PO NO:-			
DRAWN BY : VK				ENQ NO: EN2223/01201			
CHECKED BY : SB				SHEET NO: 01 OF 01			
APPROVED BY : SD				SO NO: -			
 www.havi.in info@havi.in				* All dimensions are in mm. Dimensions for reference only and are subject to change without notice * This document is the property of Havi Engineering India Pvt. Ltd. No exploitation or release of any text contained herein or relating to this document is permitted in any form without the written consent of HAVI.			
				REV NO: 00			
				SCALE: NTS			