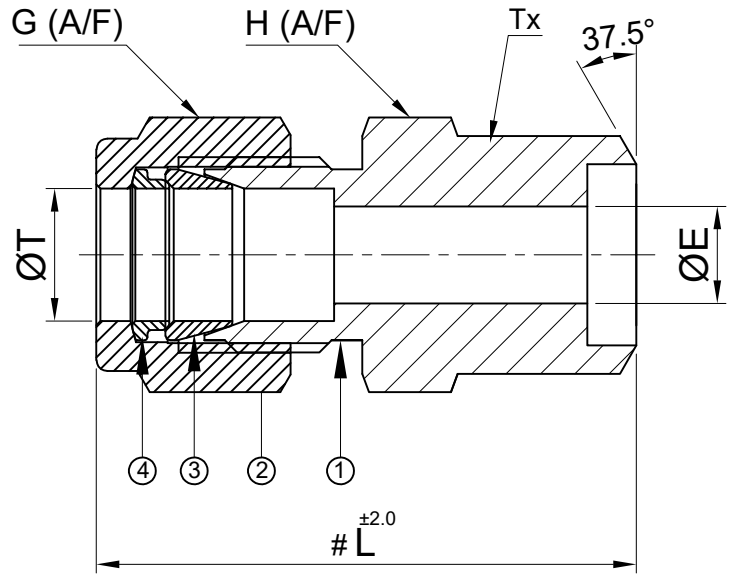


SR NO	DESCRIPTION	QTY	MATERIAL
1	BODY	1	SS 316
2	NUT	1	SS 316
3	FRONT FERRULE	1	SS 316
4	BACK FERRULE	1	SS 316



Sr.No.	PART NO	ØT	Tx	L	H (A/F)	G (A/F)	ØE	Pressure Rating (Psig)	Temperature Range
13	6MBWC4NB-S6-N	6mm	1/4" BW	38.3	14.0	14.0	4.2	6000 Psig	-192°C to 649°C

PATH: -X:\2022-2023\EXPORT\EN222301201\GAD

**NOTE:**  
 • # MARKED DIMENSION IS IN FINGER TIGHT POSITION.  
 • NPT THREAD AS PER ANSI B 1.20.1.

	SIGN	DATE
DRAWN BY	VK	30.01.2023
CHECKED BY	SB	30.01.2023
APPROVED BY	SD	30.01.2023



PART NAME : Weld Connector ODT X Pipe Butt Weld				CUSTOMER NAME:-							
DWG NO : GA-BWC-S6-N				PROJECT NAME:-							
MATERIAL : AS PER BOM				PO NO:-							
REV NO				DESCRIPTION		SIGN		DATE		SO NO: -	
ENQ NO: EN2223/01201				SHEET NO: 01 OF 01							
* All dimensions are in mm. Dimensions for reference only and are subject to change without notice				* This document is the property of Havi Engineering India Pvt. Ltd. No exploitation or release of any text contained herein or relating to this document is permitted in any form without the written consent of HAVI.							
SCALE: NTS				REV NO: 00							