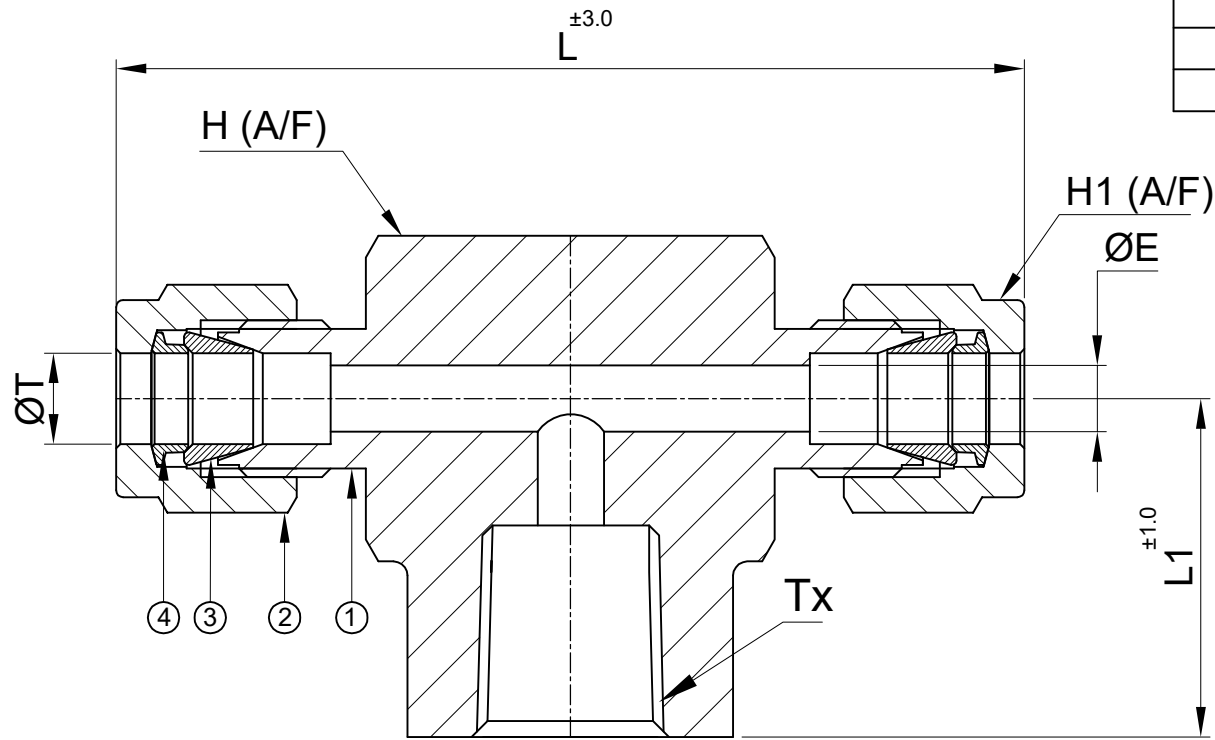


SR NO	DESCRIPTION	QTY	MATERIAL
1	BODY	1	SS 316
2	NUT	2	SS 316
3	FRONT FERRULE	2	SS 316
4	BACK FERRULE	2	SS 316



SR NO	PART NO	ØT	Tx	L	L1	H (A/F)	H1(A/F)	ØE
1	6MFBT4N-S6	6mm	1/4" NPT-F	66.5	24.0	20.5	14.0	4.2

PATH: -Z:\2022-2023\EXPORT\EN222300927\GAD

NOTE:
 • # MARKED DIMENSION IS IN FINGER TIGHT POSITION.
 • NPT THREAD AS PER ANSI B 1.20.1.

havi
 Fittings & Valves
 info@havi.in www.havi.in
 A-201, PRIME TRADE CENTER
 SATIVALI ROAD, VASAI (E),
 PALGHAR - 401208, MAHARASHTRA, INDIA

DRAWN BY	SB	11.11.2022
CHECKED BY	RW	11.11.2022
APPROVED BY	SM	11.11.2022

PART NAME : Female Branch Tee- TUBE OD x Female Threading		CUSTOMER NAME:-	
DWG NO : - 6MFBT4N-S6		PROJECT NAME & NO:	
MATERIAL :- AS PER BOM		ENQ NO:- EN2223/00927	
REV NO	DESCRIPTION	SIGN	DATE
SO NO: -		SHEET NO: 01 OF 01	
* All dimensions are in mm. Dimensions for reference only and are subject to change without notice		REV NO: 00	
* This document is the property of Havi Engineering India Pvt. Ltd. No exploitation or release of any text contained herein or relating to this document is permitted in any form without the written consent of HAVI.		SCALE: NTS	