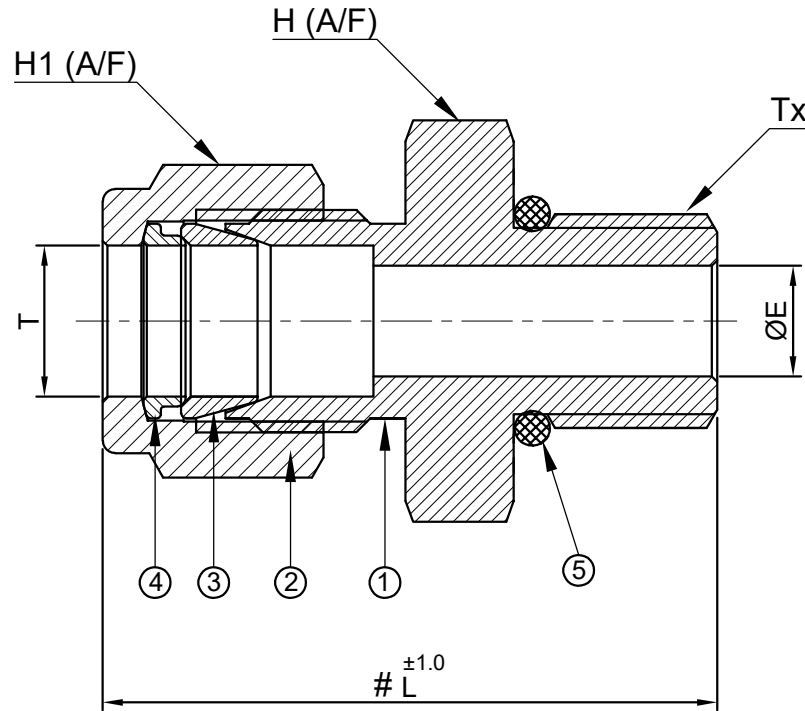


SR NO	DESCRIPTION	QTY	MATERIAL
1	BODY	1	SS316
2	NUT	1	SS316
3	FRONT FERRULE	1	SS316
4	BACK FERRULE	1	SS316
5	O-RING	1	VITON



SR NO	PART NO	T	Tx	L	H1 (A/F)	H (A/F)	ØE
1	6MMC14UN-S6	6mm	7/8" UNF X 14TPI	41.0	14.0	25.4(1")	4.7

PART NAME : MALE CONNECTOR- TUBE OD X SAE THREAD				CUSTOMER NAME:			
DWG NO : 6MMC14UN-S6				PROJECT NAME & NO:			
MATERIAL : SS 316				ENQ NO:- EN2223/00089			
REV NO				DESCRIPTION		SIGN	
DATE				DATE		SCALE: NTS	
DRAWN BY				SIGN		SHEET NO: 01 OF 01	
CHECKED BY				DATE		REV NO: 00	
APPROVED BY				DATE		SCALE: NTS	

	SIGN	DATE
DRAWN BY	VK	10.06.2022
CHECKED BY	RW	10.06.2022
APPROVED BY	SM	10.06.2022



www.havi.in
info@havi.in

* All dimensions are in mm. Dimensions for reference only and are subject to change without notice
* This document is the property of Havi Engineering India Pvt. Ltd. No exploitation or release of any text contained herein or relating to this document is permitted in any form without the written consent of HAVI.

NOTE:
• # MARKED DIMENSION IS IN FINGER TIGHT POSITION.