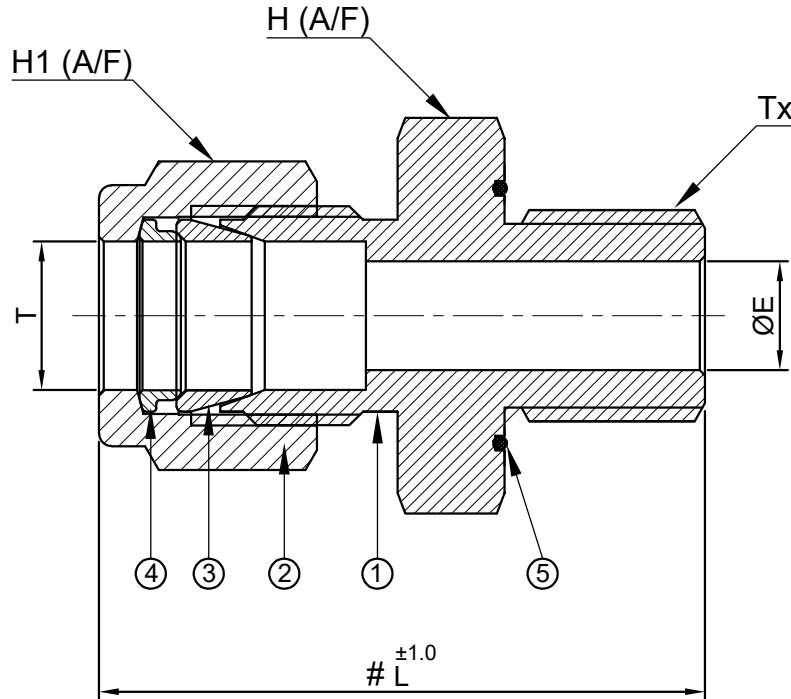



PATH: X:\2022-2023\EXPORT\EN222300089\GAD\UPDATED

SR NO	DESCRIPTION	QTY	MATERIAL
1	BODY	1	SS316
2	NUT	1	SS316
3	FRONT FERRULE	1	SS316
4	BACK FERRULE	1	SS316
5	O-RING	1	VITON



SR NO	PART NO	T	Tx	L	H1 (A/F)	H (A/F)	ØE
1	6MMC7UN-S6	6mm	7/16" UNF X 20TPI	38.5	14.0	19.05(3/4")	4.7

PART NAME : MALE CONNECTOR- TUBE OD X SAE THREAD				CUSTOMER NAME:			
DWG NO : 6MMC7UN-S6				PROJECT NAME & NO:			
MATERIAL : SS 316				ENQ NO:- EN2223/00089			
REV NO				DESCRIPTION		SIGN	
DATE				DATE		DATE	
DRAWN BY				SIGN		SO NO: -	
CHECKED BY				DATE		SHEET NO: 01 OF 01	
APPROVED BY				DATE		REV NO: 00	
				* All dimensions are in mm. Dimensions for reference only and are subject to change without notice * This document is the property of Havi Engineering India Pvt. Ltd. No exploitation or release of any text contained herein or relating to this document is permitted in any form without the written consent of HAVI.		SCALE: NTS	

NOTE:  
 • # MARKED DIMENSION IS IN FINGER TIGHT POSITION.