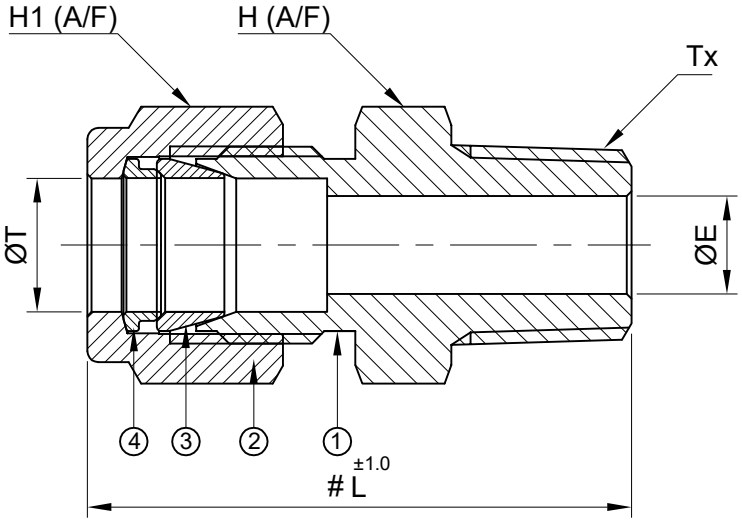



SR NO	DESCRIPTION	QTY	MATERIAL
1	BODY	1	SS 316
2	NUT	1	SS 316
3	FRONT FERRULE	1	SS 316
4	BACK FERRULE	1	SS 316



SR NO	PART NO	ØT	Tx	L	H1 (A/F)	H (A/F)	ØE
1	6MMC8N-S6	6mm	1/2" NPT-M	44.6	14.0	22.0	4.2

 Fittings & Valves info@havi.in www.havi.in A-201, PRIME TRADE CENTER SATIVALI ROAD, VASAI (E), PALGHAR - 401208, MAHARASHTRA, INDIA	PART NAME : MALE CONNECTOR - TUBE OD x NPT-M		CUSTOMER NAME:-	
	DWG NO : - 6MMC8N-S6		PROJECT NAME & NO:	
	MATERIAL :- AS PER BOM		ENQ NO:- EN2223/00927	
	REV NO		SIGN	
SIGN		DATE		SO NO: -
DRAWN BY		SIGN		DATE
CHECKED BY		SIGN		DATE
APPROVED BY		SIGN		DATE
* All dimensions are in mm. Dimensions for reference only and are subject to change without notice * This document is the property of Havi Engineering India Pvt. Ltd. No exploitation or release of any text contained herein or relating to this document is permitted in any form without the written consent of HAVI.				SHEET NO: 01 OF 01 REV NO: 00 SCALE: NTS

- NOTE:
- # MARKED DIMENSION IS IN FINGER TIGHT POSITION.
 - NPT THREAD AS PER ANSI B 1.20.1.

PATH- Z:\2022-2023\EXPORT\EN222300927\GAD