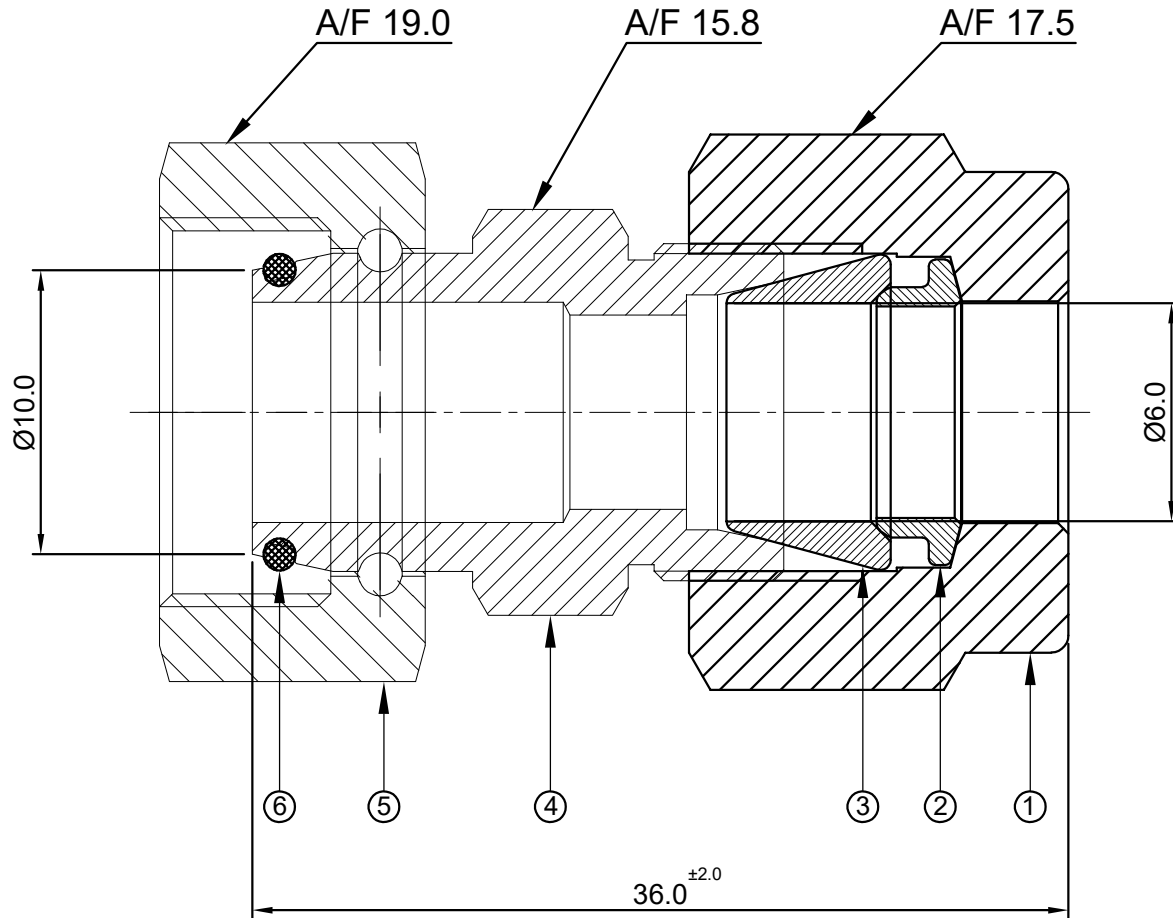


SR NO	DESCRIPTION	QTY	MATERIAL
1	NUT	1	SS 316
2	FRONT FERRULE	1	SS 316
3	BACK FERRULE	1	SS 316
4	BODY	1	SS 316
5	SWIVEL NUT	1	SS 316
6	O-RING	1	VITON



havi
Fittings & Valves
 info@havi.in www.havi.in
 A-201, PRIME TRADE CENTER
 SATIVALI ROAD, VASAI (E)
 PALGHAR - 401208, MAHARASHTRA, INDIA

	SIGN	DATE	REV NO	DESCRIPTION	SIGN	DATE
DRAWN BY	VK	02.08.2022				
CHECKED BY	RW	02.08.2022				
APPROVED BY	SM	02.08.2022				

PART NAME : Swivel Reducing Adaptor 6mm X 10mm

DWG NO : - 6MR10MSU-S6
 MATERIAL :- SS316

CUSTOMER NAME:

PROJECT NAME & NO:

ENQ NO:- EN2223/00089

SO NO: -

SHEET NO:
01 OF 01

REV NO: 00
SCALE: NTS

NOTE:

- # MARKED DIMENSION IS IN FINGER TIGHT POSITION.

* All dimensions are in mm. Dimensions for reference only and are subject to change without notice
 * This document is the property of Havi Engineering India Pvt. Ltd. No exploitation or release of any text contained herein or relating to this document is permitted in any form without the written consent of HAVI.

J
I
H
G
F
E
D
C
B
A

PATH: X:\2022-2023\EXPORT\EN222300089\GAD\UPDATED