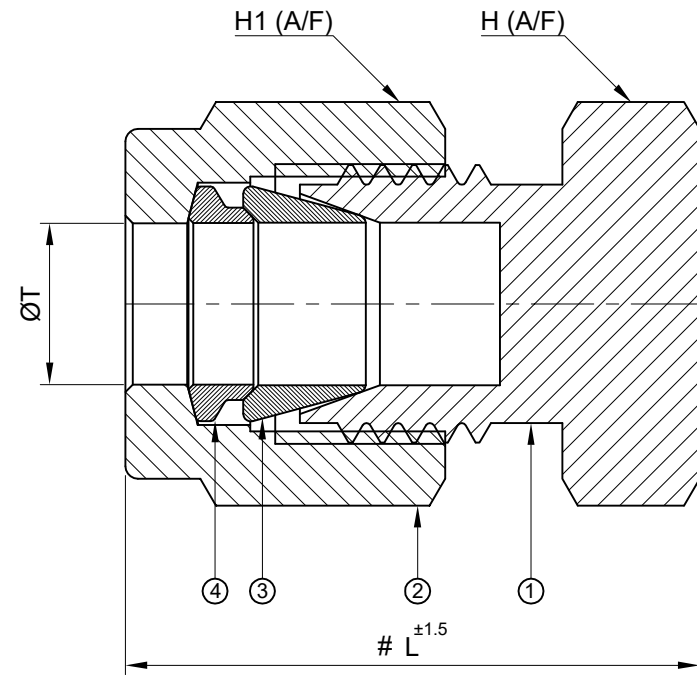


SR NO	DESCRIPTION	QTY	MATERIAL
1	BODY	1	SS 316
2	NUT	1	SS 316
3	FRONT FERRULE	1	SS 316
4	BACK FERRULE	1	SS 316



SR NO	PART NO	ØT	L	H1 (A/F)	H (A/F)
1	6MTC-S6	6mm	24.0	14.0	14.0

**havi**  
 Fittings & Valves  
 info@havi.in www.havi.in  
 A-201, PRIME TRADE CENTER  
 SATIVALI ROAD, VASAI (E),  
 PALGHAR - 401208, MAHARASHTRA, INDIA

PART NAME : Tube Cap			CUSTOMER NAME:-		
DWG NO : - 6MTC-S6			PROJECT NAME & NO:		
MATERIAL :- AS PER BOM			ENQ NO:- EN2223/00927		
REV NO			SIGN		
DATE			DATE		
DRAWN BY			SIGN		
CHECKED BY			DATE		
APPROVED BY			DATE		
SO NO: -			SHEET NO: 01 OF 01		
* All dimensions are in mm. Dimensions for reference only and are subject to change without notice			REV NO: 00		
* This document is the property of Havi Engineering India Pvt. Ltd. No exploitation or release of any text contained herein or relating to this document is permitted in any form without the written consent of HAVI.			SCALE: NTS		

NOTE:  
 • # MARKED DIMENSION IS IN FINGER TIGHT POSITION.

PATH: Z:\2022-2023\EXPORT\EN2223\00927\GAD