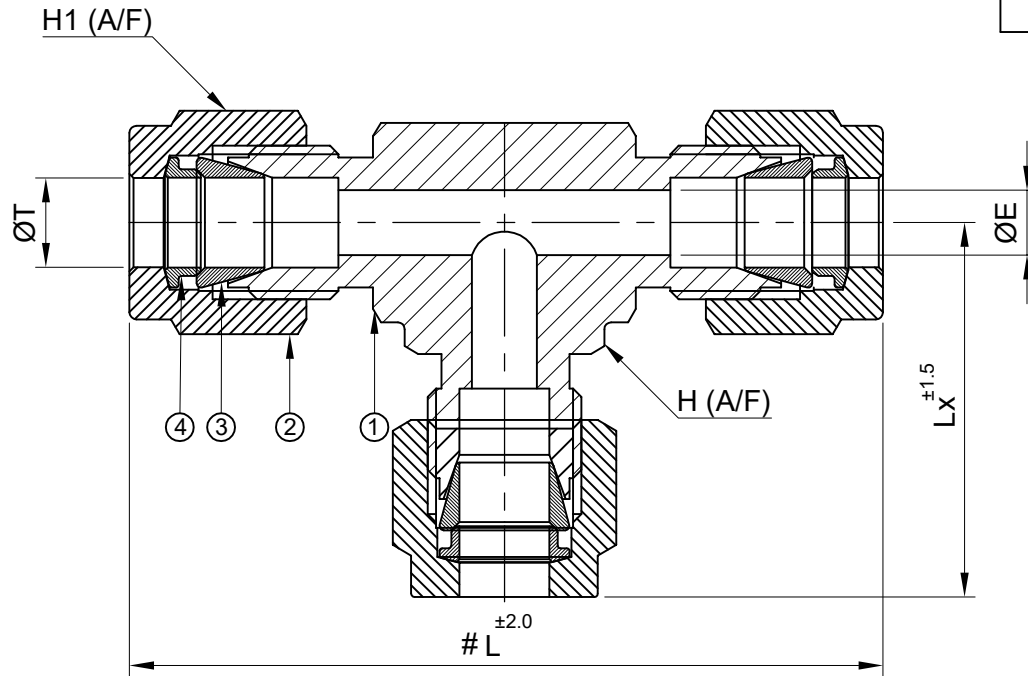


SR NO	DESCRIPTION	QTY	MATERIAL
1	BODY	1	SS 316
2	NUT	3	SS 316
3	FRONT FERRULE	3	SS 316
4	BACK FERRULE	3	SS 316



SR NO	PART NO	ØT	Lx	L	H1 (A/F)	H (A/F)	ØE
1	6MUT-S6	6mm	27.3	54.5	14.0	12.5	4.2



PART NAME : UNION TEE - TUBE OD x TUBE OD x TUBE OD		CUSTOMER NAME:-	
DWG NO : - 6MUT-S6		PROJECT NAME & NO:	
MATERIAL : - AS PER BOM		ENQ NO:- EN2223/00927	
REV NO		SO NO: -	
DESCRIPTION		SHEET NO: 01 OF 01	
SIGN		REV NO: 00	
DATE		SCALE: NTS	
DRAWN BY SB		* All dimensions are in mm. Dimensions for reference only and are subject to change without notice	
CHECKED BY RW		* This document is the property of Havi Engineering India Pvt. Ltd. No exploitation or release of any text contained herein or relating to this document is permitted in any form without the written consent of HAVI.	
APPROVED BY SM			

NOTE:
 • # MARKED DIMENSION IS IN FINGER TIGHT POSITION.

PATH: -Z:\2022-2\023\EXPORTEN\2223\00927\GAD