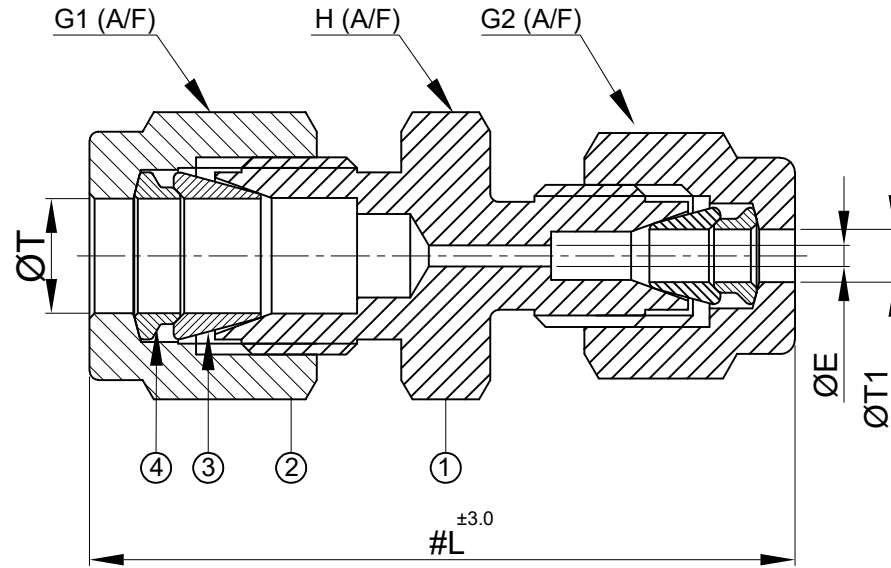


SR NO	DESCRIPTION	QTY	MATERIAL
1	BODY	1	SS 316
2	NUT	2	SS 316
3	FRONT FERRULE	2	SS 316
4	BACK FERRULE	2	SS 316



SR NO	PART NO	ØT	ØT1	L	H (A/F)	G1 (A/F)	G2 (A/F)	ØE	Pressure Rating (Psig)	Temperature Range
21	6RU4-S6	3/8"	1/4"	42.7	18.0	17.5	14.2(9/16")	4.7	6000 Psig	-192°C to 649°C

PATH: T:\2022-2023\EXPORT\EN222301100\GAD

NOTE:

- # MARKED DIMENSION IS IN FINGER TIGHT POSITION.
- NPT THREAD AS PER ANSI B 1.20.1.

	SIGN	DATE
DRAWN BY	VK	22.01.2023
CHECKED BY	SB	22.01.2023
APPROVED BY	SD	22.01.2023



www.havi.in
info@havi.in

PART NAME :- REDUCING UNION ODT X ODT				CUSTOMER NAME:-															
DWG NO : GA-RU-S6				PROJECT NAME:-															
MATERIAL : SS 316				PO NO:-															
				ENQ NO: EN2223/01100															
				SHEET NO: 01 OF 01															
REV NO				DESCRIPTION				SIGN				DATE				SO NO: -			
* All dimensions are in mm. Dimensions for reference only and are subject to change without notice																			
* This document is the property of Havi Engineering India Pvt. Ltd. No exploitation or release of any text contained herein or relating to this document is permitted in any form without the written consent of HAVI.																			
REV NO: 00																			
SCALE: NTS																			