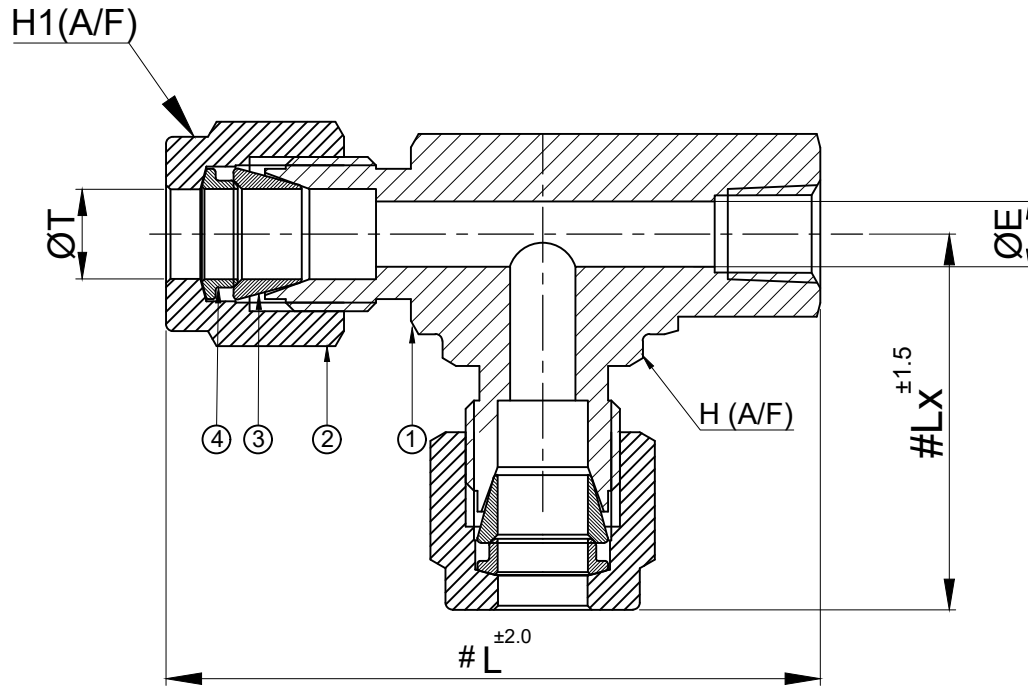


SR NO	DESCRIPTION	QTY	MATERIAL
1	BODY	1	SS 316
2	NUT	2	SS 316
3	FRONT FERRULE	2	SS 316
4	BACK FERRULE	2	SS 316



PART NO	T	Lx	L	H (A/F)	H1(A/F)	ØE
8FRT8N-S6	1/2"	40.5	71.0	27(1-1/16")	22(7/8")	10.3

NOTE:-

- NPT THREAD AS PER ANSI B 1.20.1.
- # MARKED DIMENSION IS IN FINGER TIGHT POSITION.
- UNLESS & OTHERWISE SPECIFIED ALL DIMENSIONS ARE IN 'mm'
- FORGING TOLERANCE AS PER IS 3469 PART2

havi
Fittings & Valves

info@havi.in www.havi.in
A-201, PRIME TRADE CENTER
SATIVALI ROAD, VASAI (E),
PALGHAR - 401208, MAHARASHTRA, INDIA

PART NAME : 1/2" FEMALE RUN TEE

CUSTOMER NAME :-

DWG NO : - 8FRT8N-S6

MATERIAL : - AS PER BOM

PROJECT NAME:-

ENQ NO:- EN2324/00354



SO NO :-

SHEET NO:
01 OF 01

	SIGN	DATE
DRAWN BY	MBC	04.07.2023
CHECKED BY	VM	04.07.2023
APPROVED BY	SRD	04.07.2023

REV NO	DESCRIPTION	SIGN	DATE

* All dimensions are in mm. Dimensions for reference only and are subject to change without notice
* This document is the property of Havi Engineering India Pvt. Ltd. No exploitation or release of any text contained herein or relating to this document is permitted in any form without the written consent of HAVI.

REV NO: 00

SCALE: NTS