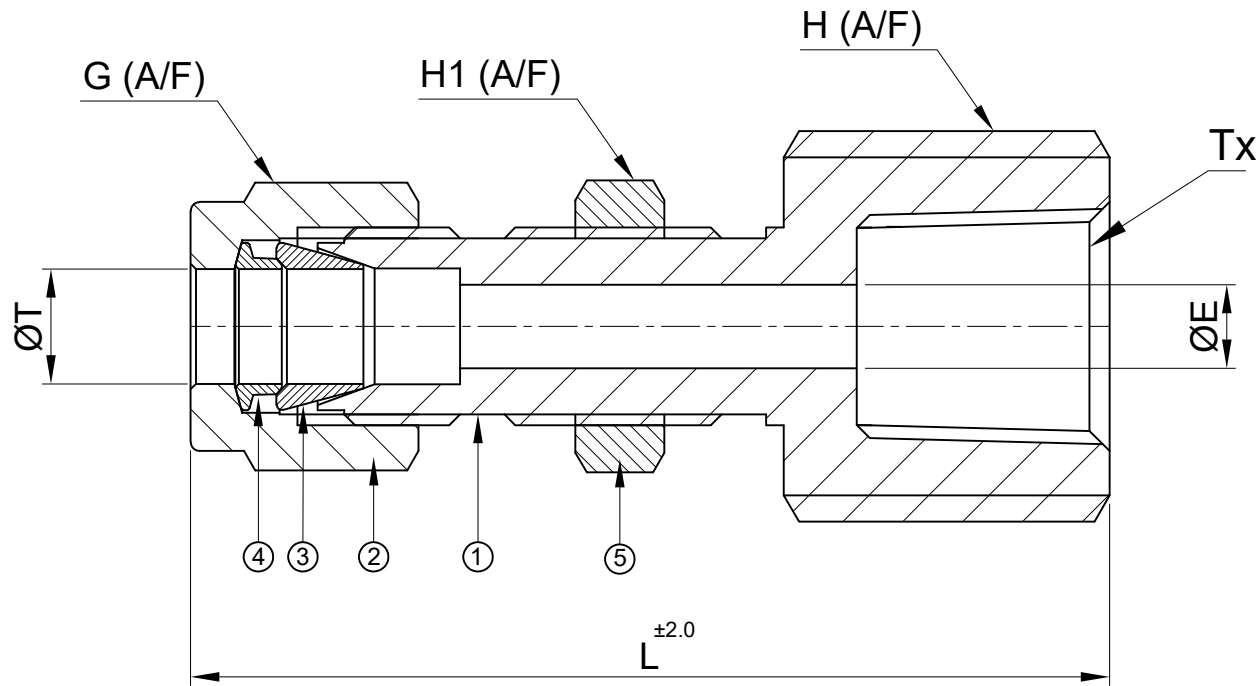


SR NO	DESCRIPTION	QTY	MATERIAL
1	BODY	1	SS 316
2	NUT	1	SS 316
3	FRONT FERRULE	1	SS 316
4	BACK FERRULE	1	SS 316
5	BULKHEAD CHECK NUT	1	SS 316



SR NO	PART NO	T	Tx	L	H1 (A/F)	H (A/F)	G(A/F)	ØE
1	8MBFCM20X1.5-S6	8mm	M20 X 1.5P-F	62.5	16.0	27.0	16.0	4.7

PATH: -T:\2022-2023\EXPORT\EN222300614

NOTE:  
 • # MARKED DIMENSION IS IN FINGER TIGHT POSITION.  
 • NPT THREAD AS PER ANSI B 1.20.1.

	SIGN	DATE
DRAWN BY	VK	05.09.2022
CHECKED BY	SB	05.09.2022
APPROVED BY	SM	05.09.2022

**havi**  
 Fittings & Valves

www.havi.in  
 info@havi.in

PART NAME : Bulkhead Female Connector- TUBE OD x Female Threading				CUSTOMER NAME:-			
DWG NO : GA-BFC-S6				PROJECT NAME:-			
MATERIAL : SS 316				PO NO.:-			
REV NO				DESCRIPTION			
SIGN				DATE			
ENQ NO: EN2223/00614				SHEET NO: 01 OF 01			
SO NO.:-				REV NO: 00			
* All dimensions are in mm. Dimensions for reference only and are subject to change without notice				SCALE: NTS			
* This document is the property of Havi Engineering India Pvt. Ltd. No exploitation or release of any text contained herein or relating to this document is permitted in any form without the written consent of HAVI.							

16 15 14 13 12 11 10 9 8 7 6 5 4 3 2 1