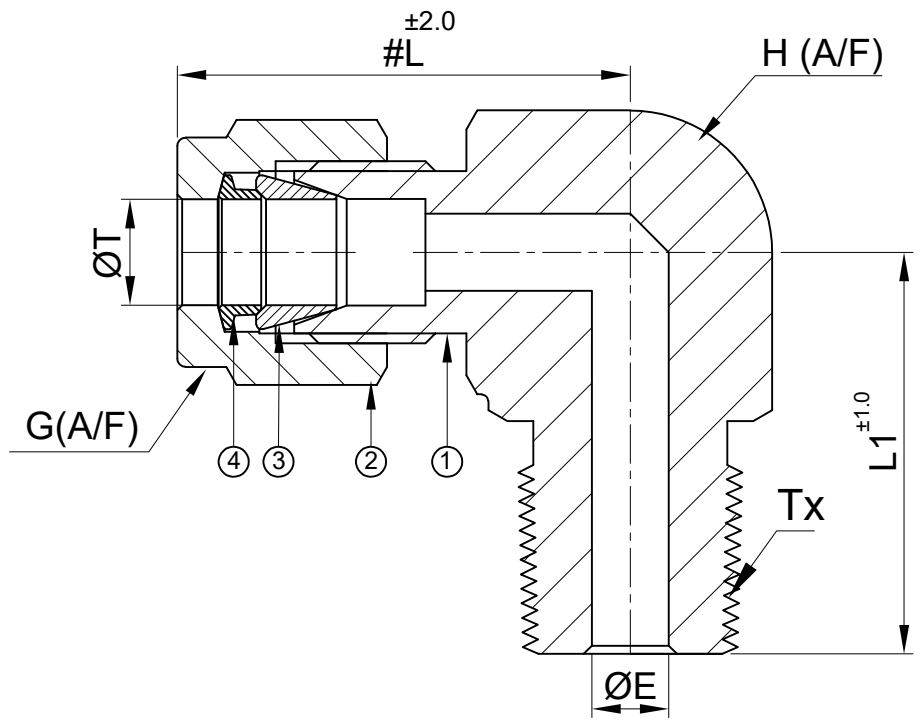

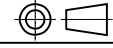


SR NO	DESCRIPTION	QTY	MATERIAL
1	BODY	1	SS 316
2	NUT	1	SS 316
3	FRONT FERRULE	1	SS 316
4	BACK FERRULE	1	SS 316



SR NO	PART NO	T	Tx	L	L1	H (A/F)	G(A/F)	ØE
1	8ME8N-S6	1/2"	1/2" NPT-M	37.0	33.0	22.0	22.0	10.3

PART NAME : MALE ELBOW - TUBE OD x Male Threading				CUSTOMER NAME:-																			
DWG NO : GA-ME-S6				PROJECT NAME:-																			
MATERIAL : SS 316				PO NO:-																			
				ENQ NO: EN2223/00764																			
				SO NO: -																			
<table border="1"> <thead> <tr> <th>REV NO</th> <th>DESCRIPTION</th> <th>SIGN</th> <th>DATE</th> </tr> </thead> <tbody> <tr> <td>DRAWN BY</td> <td>VK</td> <td>10.10.2022</td> <td></td> </tr> <tr> <td>CHECKED BY</td> <td>SB</td> <td>10.10.2022</td> <td></td> </tr> <tr> <td>APPROVED BY</td> <td>SM</td> <td>10.10.2022</td> <td></td> </tr> </tbody> </table>				REV NO	DESCRIPTION	SIGN	DATE	DRAWN BY	VK	10.10.2022		CHECKED BY	SB	10.10.2022		APPROVED BY	SM	10.10.2022		<p>* All dimensions are in mm. Dimensions for reference only and are subject to change without notice  * This document is the property of Havi Engineering India Pvt. Ltd. No exploitation or release of any text contained herein or relating to this document is permitted in any form without the written consent of HAVI.</p>			
REV NO	DESCRIPTION	SIGN	DATE																				
DRAWN BY	VK	10.10.2022																					
CHECKED BY	SB	10.10.2022																					
APPROVED BY	SM	10.10.2022																					
 www.havi.in info@havi.in				 SHEET NO: 01 OF 01 REV NO: 00 SCALE: NTS																			

NOTE:  
• # MARKED DIMENSION IS IN FINGER TIGHT POSITION.  
• NPT THREAD AS PER ANSI B 1.20.1.

PATH: X:\2022-2023\EXPORT\IEN222300764\GAD FOR CLIENT