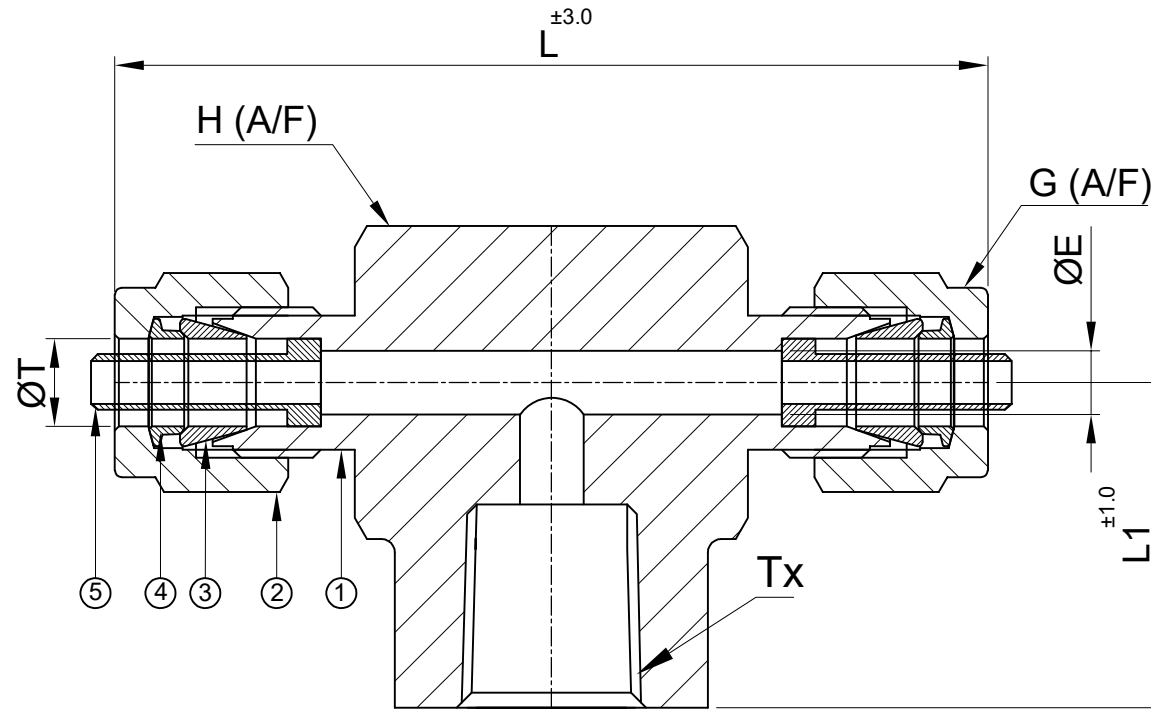


SR NO	DESCRIPTION	QTY	MATERIAL
1	BODY	1	SS 316
2	NUT	2	SS 316
3	FRONT FERRULE	2	SS 316
4	BACK FERRULE	2	SS 316
5	INSERT	2	SS 316



SR NO	PART NO	T	Tx	L	L1	H (A/F)	G(A/F)	ØE
1	8MFBTM12X1.5-S6	8mm	M12 X 1.5P-F	67.0	23.0	20.5	16.0	6.4

PART NAME : Female Branch Tee- TUBE OD x Female Threading With Insert				CUSTOMER NAME:-			
DWG NO : GA-FBTWI-S6				PROJECT NAME:-			
MATERIAL : SS 316				PO NO.:-			
ENQ NO: EN2223/00614				SHEET NO: 01 OF 01			
SO NO.:-				REV NO: 00			
SCALE: NTS							

	SIGN	DATE
DRAWN BY	VK	05.09.2022
CHECKED BY	SB	05.09.2022
APPROVED BY	SM	05.09.2022

www.havi.in
 info@havi.in
 Filings & Valves

NOTE:

- # MARKED DIMENSION IS IN FINGER TIGHT POSITION.
- NPT THREAD AS PER ANSI B 1.20.1.

* All dimensions are in mm. Dimensions for reference only and are subject to change without notice
 * This document is the property of Havi Engineering India Pvt. Ltd. No exploitation or release of any text contained herein or relating to this document is permitted in any form without the written consent of HAVI.