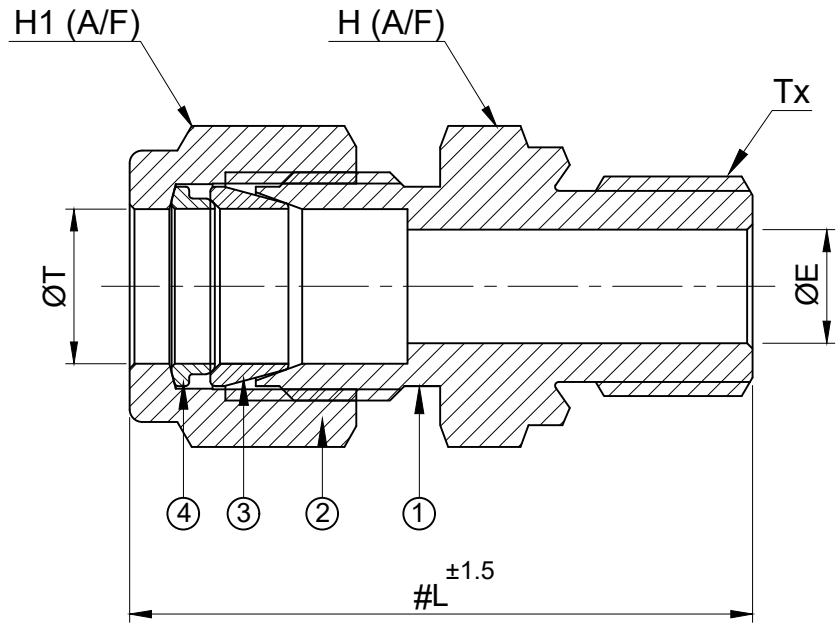

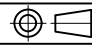


SR NO	DESCRIPTION	QTY	MATERIAL
1	BODY	1	SS 316
2	NUT	1	SS 316
3	FRONT FERRULE	1	SS 316
4	BACK FERRULE	1	SS 316



PART NO	ØT	Tx	L	H (A/F)	H1(A/F)	ØE
8MMC4IPG-S6	8mm	1/4" BSPP(RG)	40.0	19.0	16.0	6.4

 <b>Fittings &amp; Valves</b> info@havi.in www.havi.in A-201, PRIME TRADE CENTER SATIVALI ROAD, VASAI (E), PALGHAR - 401208, MAHARASHTRA, INDIA	PART NAME :		CUSTOMER NAME:-		
	MALE CONNECTOR - 8mm TUBE OD x 1/4" BSPP(RG)		PROJECT NAME:-		
	DWG NO :- 8MMC4IPG-S6		END USER NAME :-		
	MATERIAL :- AS PER BOM		ENQ NO: EN2223/00475		
		SO NO: -		 SHEET NO: 01 OF 01	
				REV NO: 00	
				SCALE: NTS	
		REV NO	DESCRIPTION	SIGN	DATE
DRAWN BY	SB	15.10.2022	* All dimensions are in mm. Dimensions for reference only and are subject to change without notice		
CHECKED BY	VK	15.10.2022	* This document is the property of Havi Engineering India Pvt. Ltd. No exploitation or release of any text contained herein or relating to this document is permitted in any form without the written consent of HAVI.		
APPROVED BY	SM	15.10.2022			

NOTE:-

- UNLESS & OTHERWISE SPECIFIED ALL DIMENSIONS ARE IN 'mm'
- # MARKED DIMENSION IS IN FINGER TIGHT POSITION.

PATH: -Z:\2022-2023\EXPORT\EN2223\00475\GAD