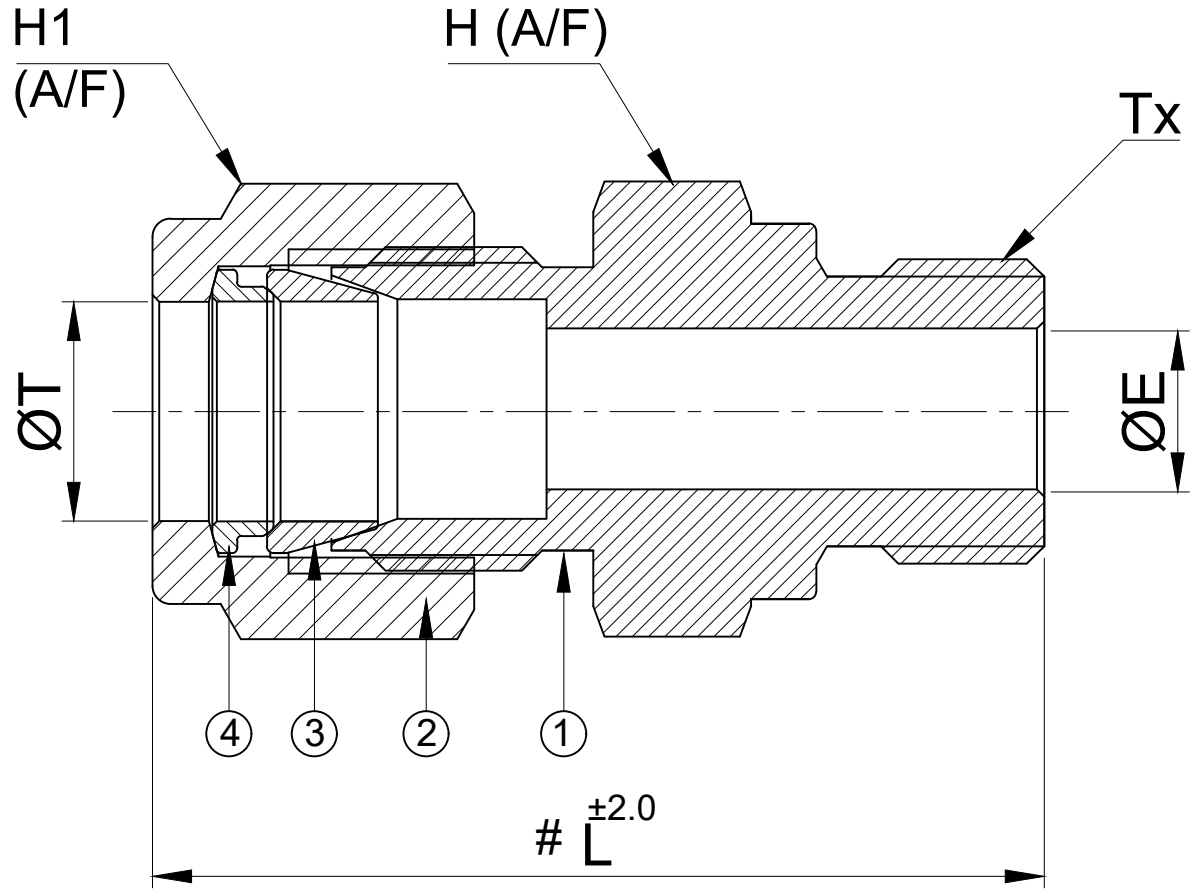


SR NO	DESCRIPTION	QTY	MATERIAL
1	BODY	1	SS 316
2	NUT	1	SS 316
3	FRONT FERRULE	1	SS 316
4	BACK FERRULE	1	SS 316



PART NO	ØT	Tx	L	H1 (A/F)	H (A/F)	ØE
8MMC4IPS-S6	8mm	1/4" BSPP-M	41	16.0 (5/8")	19 (3/4")	6.4

- NOTE:
- # MARKED DIMENSION IS IN FINGER TIGHT POSITION.
  - ALL DIMENSIONS ARE IN MM, UNLESS OTHERWISE SPECIFIED

**havi**  
Fittings & Valves  
info@havi.in www.havi.in  
A-201, PRIME TRADE CENTER  
SATIVALI ROAD, VASAI (E),  
PALGHAR - 401208, MAHARASHTRA, INDIA

	SIGN	DATE
DRAWN BY	MBC	16.05.2023
CHECKED BY	VM	16.05.2023
APPROVED BY	SRD	16.05.2023

PART NAME : MALE CONNECTOR  
8MM ODT x 1/4" BSPP MALE FORM A

DWG NO : - 8MMC4IPS-S6  
MATERIAL : - AS PER BOM

CUSTOMER NAME:	
END USER : -	
PROJECT NAME:	
ENQ NO: EN2324/00190	
SO NO: -	SHEET NO: 01 OF 01
* All dimensions are in mm. Dimensions for reference only and are subject to change without notice	
* This document is the property of Havi Engineering India Pvt. Ltd. No exploitation or release of any text contained herein or relating to this document is permitted in any form without the written consent of HAVI.	
REV NO: 00	
SCALE: NTS	

PATH: - G:\2023-2024\EXPORT\EN2324\0190