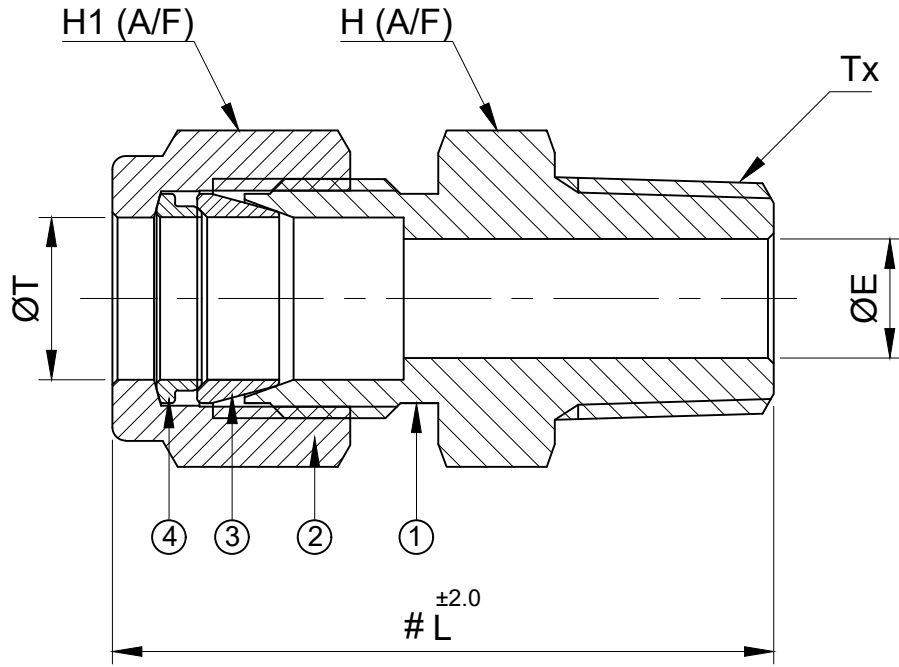


SR NO	DESCRIPTION	QTY	MATERIAL
1	BODY	1	SS 316
2	NUT	1	SS 316
3	FRONT FERRULE	1	SS 316
4	BACK FERRULE	1	SS 316



PART NO	ØT	Tx	L	H1 (A/F)	H (A/F)	ØE
8MMC4N-S6	8	1/4" NPT-M	40	16(5/8")	14(9/16")	6.4

havi
Fittings & Valves
info@havi.in www.havi.in
A-201, PRIME TRADE CENTER
SATIVALI ROAD, VASAI (E),
PALGHAR - 401208, MAHARASHTRA, INDIA

DRAWN BY	MBC	16.05.2023
CHECKED BY	VM	16.05.2023
APPROVED BY	SRD	16.05.2023

PART NAME : MALE CONNECTOR 8MM ODT X 1/4" NPT		CUSTOMER NAME:	
DWG NO : - 8MMC4N-S6		END USER : -	
MATERIAL : - AS PER BOM		PROJECT NAME:	
ENQ NO: EN2324/00190	SO NO: -		SHEET NO: 01 OF 01
* All dimensions are in mm. Dimensions for reference only and are subject to change without notice		REV NO: 00	
* This document is the property of Havi Engineering India Pvt. Ltd. No exploitation or release of any text contained herein or relating to this document is permitted in any form without the written consent of HAVI.		SCALE: NTS	

- NOTE:
- # MARKED DIMENSION IS IN FINGER TIGHT POSITION.
 - NPT THREAD AS PER ANSI B 1.20.1.
 - ALL DIMENSIONS ARE IN MM, UNLESS OTHERWISE SPECIFIED

PATH: - G:\2023-2024\EXPORT\EN2324\0190