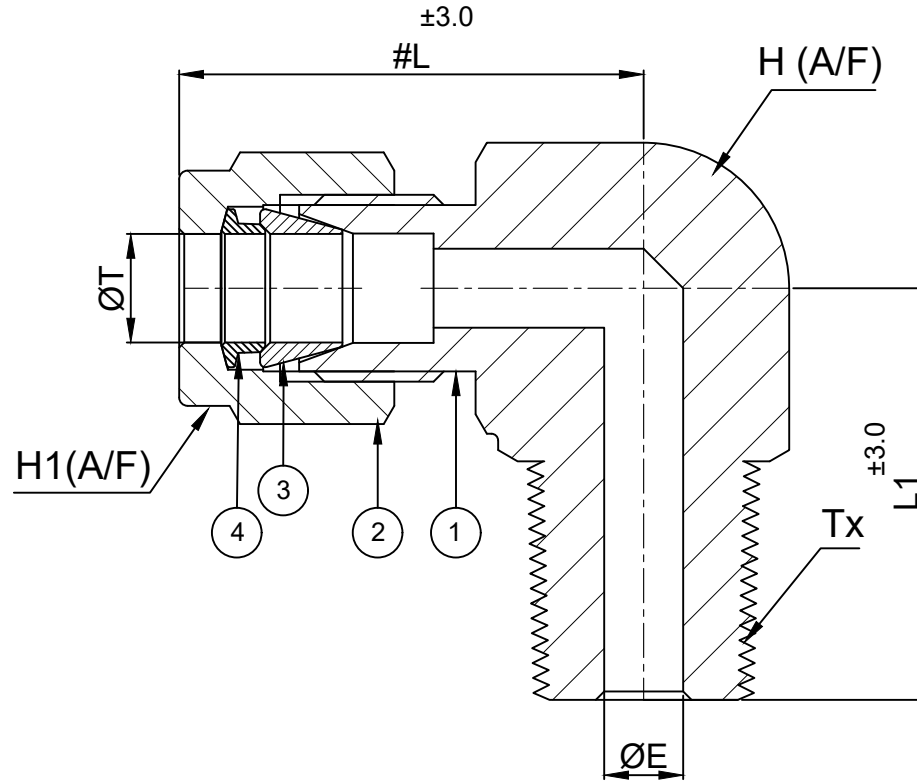


SR NO	DESCRIPTION	QTY	MATERIAL
1	BODY	1	SS316L
2	NUT	1	SS316L
3	FRONT FERRULE	1	SS316L
4	BACK FERRULE	1	SS316L



PART NO	T	Tx	L	L1	H (A/F)	H1(A/F)	ØE
8MME4N-S6L	8mm	1/4" NPT-M	31.0	25.5	15	16	6.4

NOTE:-

MARKED DIMENSION IS IN FINGER TIGHT POSITION.

- TEMPERATURE RANGE:- -192°C TO +649°C
- NPT THREAD AS PER ANSI B 1.20.1.
- UNLESS & OTHERWISE SPECIFIED ALL DIMENSIONS ARE IN 'mm'
- UNSPECIFIED FORGING TOLERANCES AS PER IS-3469 PART 2

havi
Fittings & Valves

info@havi.in www.havi.in
A-201, PRIME TRADE CENTER
SATIVALI ROAD, VASAI (E),
PALGHAR - 401208, MAHARASHTRA, INDIA

PART NAME : MALE ELBOW - TUBE OD x NPT-M

DWG NO : 8MME4N-S6L

MATERIAL : AS PER BOM

CUSTOMER NAME:-

PROJECT NAME:-

ENQ NO: EN2324/00167

PO NO: VSP-14041799

SO NO: SO2324/00165

SHEET NO:
01 OF 01



REV NO: 00

SCALE: NTS

	SIGN	DATE
DRAWN BY	MBC	17.08.2023
CHECKED BY	VM	17.08.2023
APPROVED BY	SRD	17.08.2023

REV NO	DESCRIPTION	SIGN	DATE

* All dimensions are in mm. Dimensions for reference only and are subject to change without notice
* This document is the property of Havi Engineering India Pvt. Ltd. No exploitation or release of any text contained herein or relating to this document is permitted in any form without the written consent of HAVI.

J
I
H
G
F
E
D
C
B
A