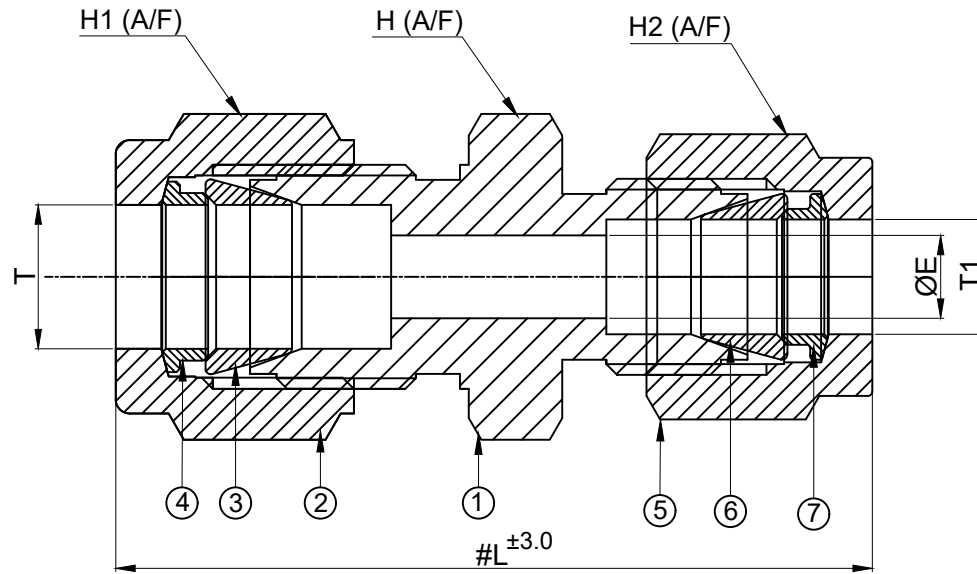


SR NO	DESCRIPTION	QTY	MATERIAL
1	BODY	1	SS 316
2	NUT	1	SS 316
3	FRONT FERRULE	1	SS 316
4	BACK FERRULE	1	SS 316
5	NUT	1	SS 316
6	FRONT FERRULE	1	SS 316
7	BACK FERRULE	1	SS 316



SR NO	PART NO	T (mm)	T1	L	H1 (A/F)	H (A/F)	H2 (A/F)	ØE
1	8MRU4-S6	8	1/4"ODT	43.0	16.0(5/8")	16.0(5/8")	14.0(9/16")	4.7

R1

NOTE:  
 • # MARKED DIMENSION IS IN FINGER TIGHT POSITION.  
 • UNLESS SPECIFIED ALL DIMENSIONS ARE IN 'mm'

 info@havi.in www.havi.in A-201, PRIME TRADE CENTER SATIVALI ROAD, VASAI (E), PALGHAR - 401208, MAHARASHTRA, INDIA	PART NAME :REDUCING UNION ODT X ODT				CUSTOMER NAME:- VSP										
	DWG NO : - GA-RU-S6				PROJECT NAME:-										
	MATERIAL :- SS316				Po no. 14041778										
					ENQ NO:										
SIGN		DATE		REV NO		DESCRIPTION		SIGN		DATE		SO NO: -		SHEET NO: 01 OF 01	
DRAWN BY		PG		25.04.2023										REV NO: 00	
CHECKED BY		VM		25.04.2023										SCALE: NTS	
APPROVED BY		SRD		25.04.2023											
* All dimensions are in mm. Dimensions for reference only and are subject to change without notice												* This document is the property of Havi Engineering India Pvt. Ltd. No exploitation or release of any text contained herein or relating to this document is permitted in any form without the written consent of HAVI.			