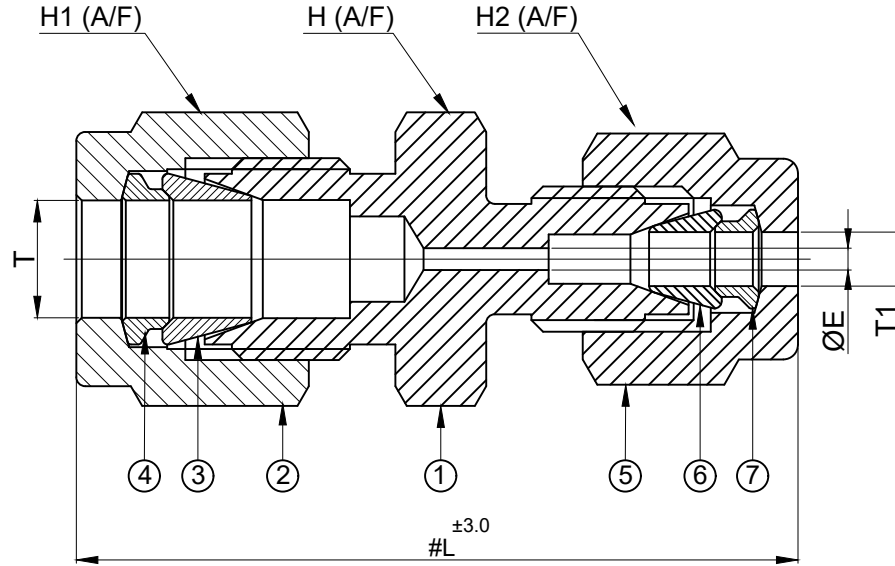


PATH:-M:\ALL TECH\FITTINGS\01 TUBE FITTINGS\03 TUBE TO TUBE\02 REDUCER UNION\02 METRIC\01 FACTORY\CAD DRAWING

SR NO	DESCRIPTION	QTY	MATERIAL
1	BODY	1	SS 316
2	NUT	1	SS 316
3	FRONT FERRULE	1	SS 316
4	BACK FERRULE	1	SS 316
5	NUT	1	SS 316
6	FRONT FERRULE	1	SS 316
7	BACK FERRULE	1	SS 316



SR NO	PART NO	T (mm)	T1(mm)	L	H1 (A/F)	H (A/F)	H2 (A/F)	ØE
1	8MRU4M-S6	8	4	43.0	16.0(5/8")	16.0(5/8")	14.0(9/16")	2.4

 info@havi.in www.havi.in A-201, PRIME TRADE CENTER SATIVALI ROAD, VASAI (E), PALGHAR - 401208, MAHARASHTRA, INDIA	PART NAME :REDUCING UNION ODT X ODT				CUSTOMER NAME:- VSP			
	DWG NO : - GA-RU-S6				PROJECT NAME:-			
	MATERIAL : - SS316				Po no. 14041778			
	ENQ NO:				SO NO: -			
SIGN		DATE		REV NO	DESCRIPTION	SIGN	DATE	SHEET NO: 01 OF 01
DRAWN BY PG		22.04.2023		* All dimensions are in mm. Dimensions for reference only and are subject to change without notice				REV NO: 00
CHECKED BY VM		22.04.2023		* This document is the property of Havi Engineering India Pvt. Ltd. No exploitation or release of any text contained herein or relating to this document is permitted in any form without the written consent of HAVI.				SCALE: NTS
APPROVED BY SRD		22.04.2023						

NOTE:
 # MARKED DIMENSION IS IN FINGER TIGHT POSITION.
 • UNLESS SPECIFIED ALL DIMENSIONS ARE IN 'mm'