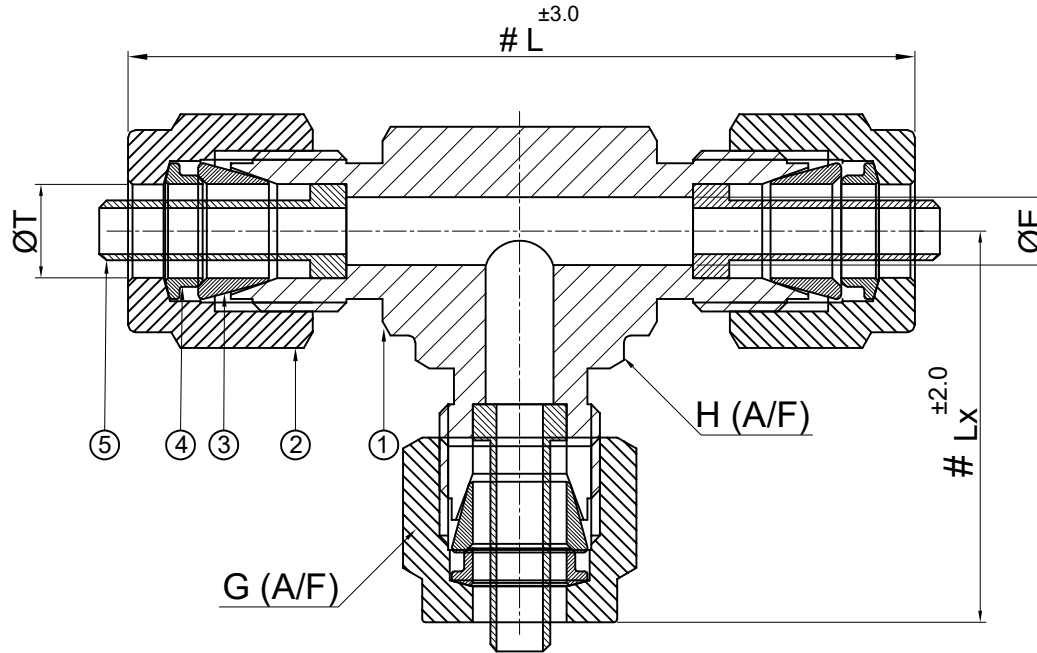


SR NO	DESCRIPTION	QTY	MATERIAL
1	BODY	1	SS 316
2	NUT	3	SS 316
3	FRONT FERRULE	3	SS 316
4	BACK FERRULE	3	SS 316
5	INSERT	3	SS 316



Sr.No.	PART NO	ØT	Lx	L	H (A/F)	G (A/F)	ØE
1	8MWIUT-S6	8mm	29.5	59.0	15.0	16.0	6.4

NOTE:  
 • # MARKED DIMENSION IS IN FINGER TIGHT POSITION.  
 • NPT THREAD AS PER ANSI B 1.20.1.

	SIGN	DATE
DRAWN BY	VK	05.09.2022
CHECKED BY	SB	05.09.2022
APPROVED BY	SM	05.09.2022

**havi**  
 Filings & Valves  
 www.havi.in  
 info@havi.in

PART NAME :- UNION TEE - ODT x ODT x ODT WITH INSERT		CUSTOMER NAME:-	
DWG NO : GA-UTWI-S6		PROJECT NAME:-	
MATERIAL : SS 316		PO NO:-	
REV NO		ENQ NO: EN2223/00614	SHEET NO: 01 OF 01
DESCRIPTION		SO NO: -	
SIGN		DATE	
* All dimensions are in mm. Dimensions for reference only and are subject to change without notice			REV NO: 00
* This document is the property of Havi Engineering India Pvt. Ltd. No exploitation or release of any text contained herein or relating to this document is permitted in any form without the written consent of HAVI.			SCALE: NTS

PATH: -X:\2022-2023\EXPORT\EN222300614\GAD