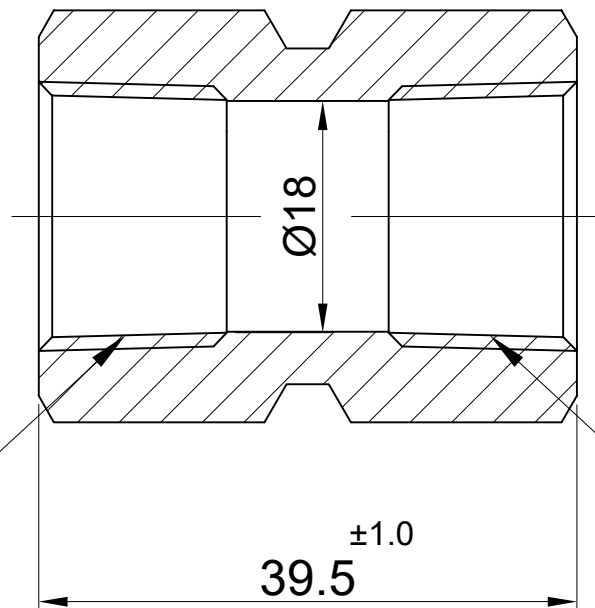
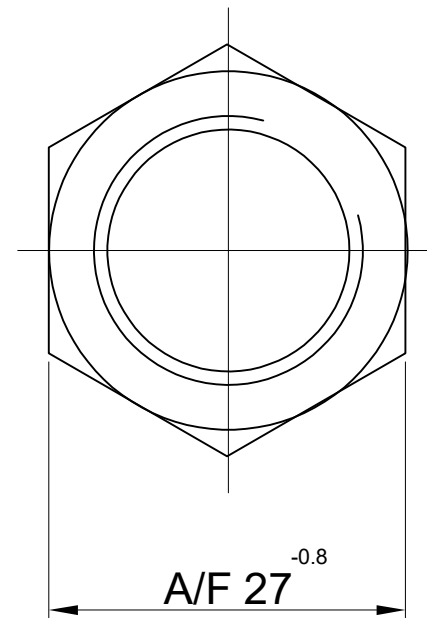


1/2" NPT-F



1/2" NPT-F



	SIGN	DATE
DRAWN BY	VK	04.05.2022
CHECKED BY	RW	04.05.2022
APPROVED BY	SM	04.05.2022



www.havi.in
info@havi.in

PART NAME : HEX COUPLING

CUSTOMER NAME:-

DWG NO : 8NHC-S6L

PROJECT NAME:-

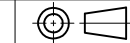
MATERIAL : SS316L

END USER NAME :-

ENQ NO: EN2223/00036

SHEET NO:
01 OF 01

SO NO.:-



REV NO	DESCRIPTION	SIGN	DATE

* All dimensions are in mm. Dimensions for reference only and are subject to change without notice
* This document is the property of Havi Engineering India Pvt. Ltd. No exploitation or release of any text contained herein or relating to this document is permitted in any form without the written consent of HAVI.

REV NO: 00

SCALE: NTS