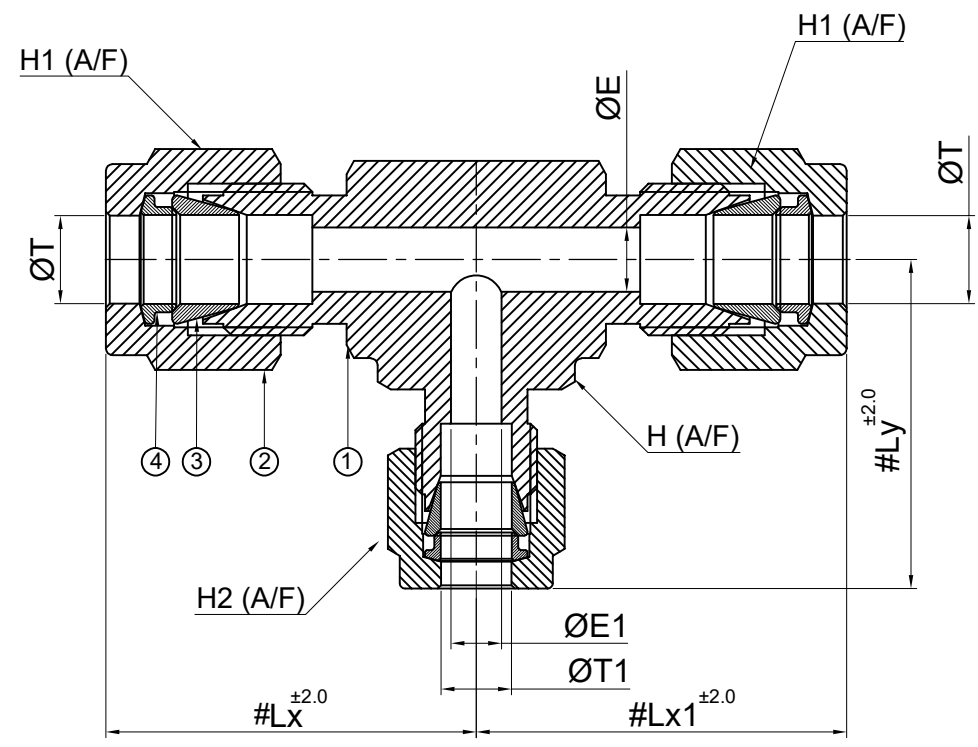


SR NO	DESCRIPTION	QTY	MATERIAL
1	BODY	1	SS 316
2	NUT	3	SS 316
3	FRONT FERRULE	3	SS 316
4	BACK FERRULE	3	SS 316



SR NO	PART NO	ØT	ØT1	Lx	Lx1	Ly	H (A/F)	H1 (A/F)	H2 (A/F)	ØE	ØE1
7	8RUBT6-S6	1/2"	3/8"	37.0	37.0	34.0	20.5	22.0	17.5	10.3	7.1

PATH: X:\12022-2023\EXPORT\EN222300293\GAD

NOTE:  
 • # MARKED DIMENSION IS IN FINGER TIGHT POSITION.  
 • NPT THREAD AS PER ANSI B 1.20.1.

DRAWN BY		VK	24.08.2022
CHECKED BY		SB	24.08.2022
APPROVED BY		SM	24.08.2022

**havi**  
 Filings & Valves  
 www.havi.in  
 info@havi.in

PART NAME :- REDUCING UNION BRANCH TEE ODT X ODT X ODT				CUSTOMER NAME:-							
DWG NO : GA-RUBT-S6				PROJECT NAME:-							
MATERIAL : SS 316				PO NO:-							
REV NO				DESCRIPTION		SIGN		DATE		SO NO: -	
ENQ NO: EN2223/00293				SHEET NO: 01 OF 01							
REV NO: 00				SCALE: NTS							