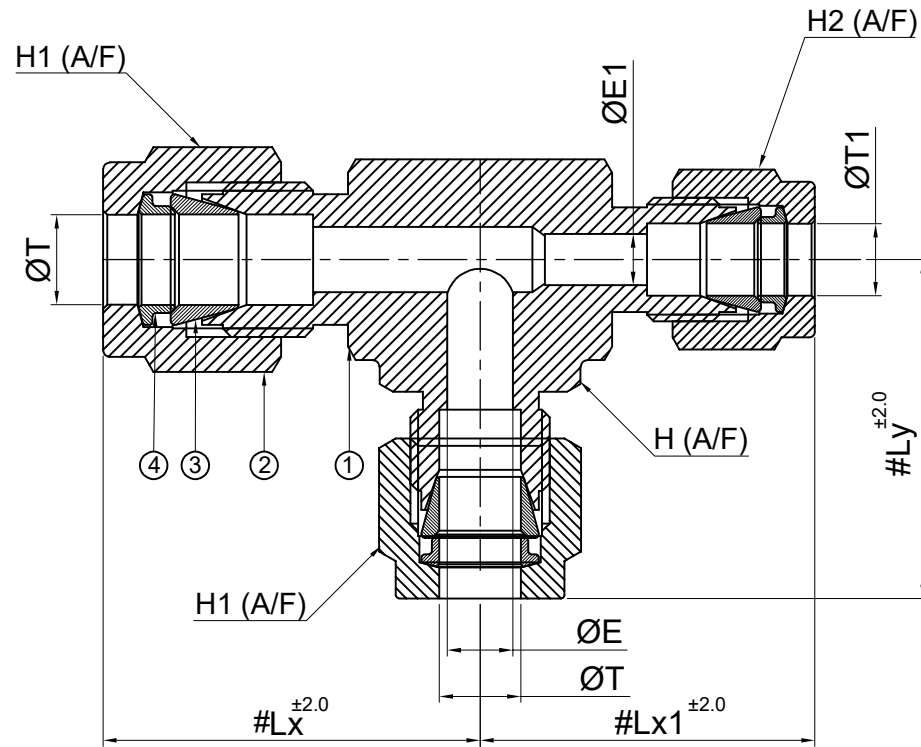



SR NO	DESCRIPTION	QTY	MATERIAL
1	BODY	1	SS 316
2	NUT	3	SS 316
3	FRONT FERRULE	3	SS 316
4	BACK FERRULE	3	SS 316



SR NO	PART NO	ØT	ØT1	Lx	Lx1	Ly	H (A/F)	H1 (A/F)	H2 (A/F)	ØE	ØE1
9	8RUT6-S6	1/2"	3/8"	37.0	34.0	37.0	20.5	22.0	17.5	10.3	7.1

PART NAME :- REDUCING UNION TEE ODT X ODT X ODT				CUSTOMER NAME:-																					
DWG NO : GA-RUT-S6				PROJECT NAME:-																					
MATERIAL : SS 316				PO NO:-																					
				ENQ NO: EN2223/00293																					
				SO NO: -																					
<table border="1"> <thead> <tr> <th>REV NO</th> <th>DESCRIPTION</th> <th>SIGN</th> <th>DATE</th> </tr> </thead> <tbody> <tr> <td>DRAWN BY</td> <td>VK</td> <td>23.08.2022</td> <td></td> </tr> <tr> <td>CHECKED BY</td> <td>SB</td> <td>23.08.2022</td> <td></td> </tr> <tr> <td>APPROVED BY</td> <td>SM</td> <td>23.08.2022</td> <td></td> </tr> </tbody> </table>				REV NO	DESCRIPTION	SIGN	DATE	DRAWN BY	VK	23.08.2022		CHECKED BY	SB	23.08.2022		APPROVED BY	SM	23.08.2022		<table border="1"> <thead> <tr> <th>SHEET NO:</th> </tr> </thead> <tbody> <tr> <td>01 OF 01</td> </tr> </tbody> </table>				SHEET NO:	01 OF 01
REV NO	DESCRIPTION	SIGN	DATE																						
DRAWN BY	VK	23.08.2022																							
CHECKED BY	SB	23.08.2022																							
APPROVED BY	SM	23.08.2022																							
SHEET NO:																									
01 OF 01																									
				<p>* All dimensions are in mm. Dimensions for reference only and are subject to change without notice  * This document is the property of Havi Engineering India Pvt. Ltd. No exploitation or release of any text contained herein or relating to this document is permitted in any form without the written consent of HAVI.</p>																					
				<table border="1"> <thead> <tr> <th>REV NO:</th> </tr> </thead> <tbody> <tr> <td>00</td> </tr> </tbody> </table>				REV NO:	00																
REV NO:																									
00																									
				<table border="1"> <thead> <tr> <th>SCALE:</th> </tr> </thead> <tbody> <tr> <td>NTS</td> </tr> </tbody> </table>				SCALE:	NTS																
SCALE:																									
NTS																									

NOTE:  
• # MARKED DIMENSION IS IN FINGER TIGHT POSITION.  
• NPT THREAD AS PER ANSI B 1.20.1.

PATH:-\192.168.5.10\ENQURIES\2022-2023\EXPORT\EN222300293