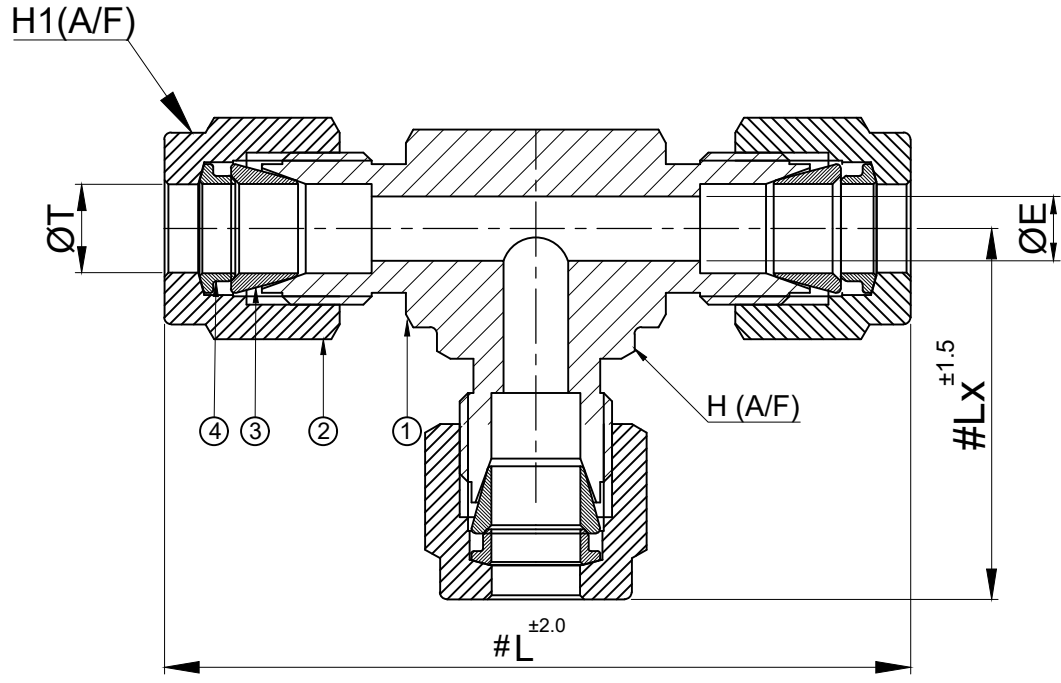



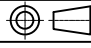
SR NO	DESCRIPTION	QTY	MATERIAL
1	BODY	1	SS 316
2	NUT	3	SS 316
3	FRONT FERRULE	3	SS 316
4	BACK FERRULE	3	SS 316



PART NO	T	Lx	L	H (A/F)	H1(A/F)	ØE
8UT-S6	1/2"	36.5	73.0	20.5	22(7/8")	10.3

**NOTE:-**

- NPT THREAD AS PER ANSI B 1.20.1.
- # MARKED DIMENSION IS IN FINGER TIGHT POSITION.
- UNLESS & OTHERWISE SPECIFIED ALL DIMENSIONS ARE IN 'mm'
- FORGING TOLERANCE AS PER IS 3469 PART2

 <b>Fittings &amp; Valves</b> info@havi.in www.havi.in A-201, PRIME TRADE CENTER SATIVALI ROAD, VASAI (E), PALGHAR - 401208, MAHARASHTRA, INDIA	PART NAME : UNION TEE- TUBE OD X TUBE OD X TUBE OD				CUSTOMER NAME :-			
	DWG NO : - 8UT-S6				PROJECT NAME:-			
	MATERIAL :- AS PER BOM				ENQ NO:- EN2324/00354			
	SIGN		DATE		SO NO :-		SHEET NO: 01 OF 01	
DRAWN BY	MBC	04.07.2023		REV NO	DESCRIPTION	SIGN	DATE	REV NO: 00
CHECKED BY	VM	04.07.2023		* All dimensions are in mm. Dimensions for reference only and are subject to change without notice				SCALE: NTS
APPROVED BY	SRD	04.07.2023		* This document is the property of Havi Engineering India Pvt. Ltd. No exploitation or release of any text contained herein or relating to this document is permitted in any form without the written consent of HAVI.				

PATH:-W:\2023-2024\EXPORT\EN2324\00354\GAD