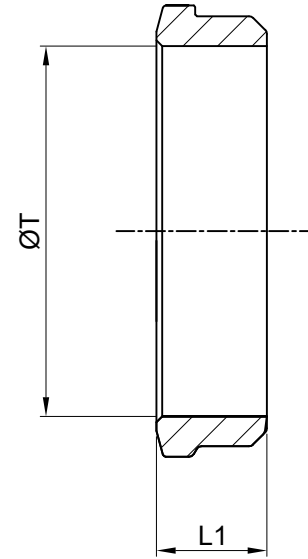



FRONT FERRULE



BACK FERRULE

SR NO	PART NO	ØT	L	L1
1	2BFFF-S6	1/8"	4.7	2.2
2	4BFFF-S6	1/4"	4.9	2.6

PART NAME : Back Ferrule, Front Ferrule				CUSTOMER NAME:-			
DWG NO : GA-BFFF-S6				PROJECT NAME:-			
MATERIAL : SS 316				PO NO:-			
DRAWN BY : VK				SIGN		DATE	
CHECKED BY : SB				SIGN		DATE	
APPROVED BY : SD				SIGN		DATE	
ENQ NO: EN2223/00905				SHEET NO: 01 OF 01			
REV NO				DESCRIPTION		SIGN	
SO NO: -				<p>* All dimensions are in mm. Dimensions for reference only and are subject to change without notice</p> <p>* This document is the property of Havi Engineering India Pvt. Ltd. No exploitation or release of any text contained herein or relating to this document is permitted in any form without the written consent of HAVI.</p>			
				www.havi.in		info@havi.in	
REV NO: 00				SCALE: NTS			

NOTE:  
 • # MARKED DIMENSION IS IN FINGER TIGHT POSITION.  
 • NPT THREAD AS PER ANSI B 1.20.1.

J  
I  
H  
G  
F  
E  
D  
C  
B  
A

PATH: T:\2022-2023\EXPORT\EN2223\0905