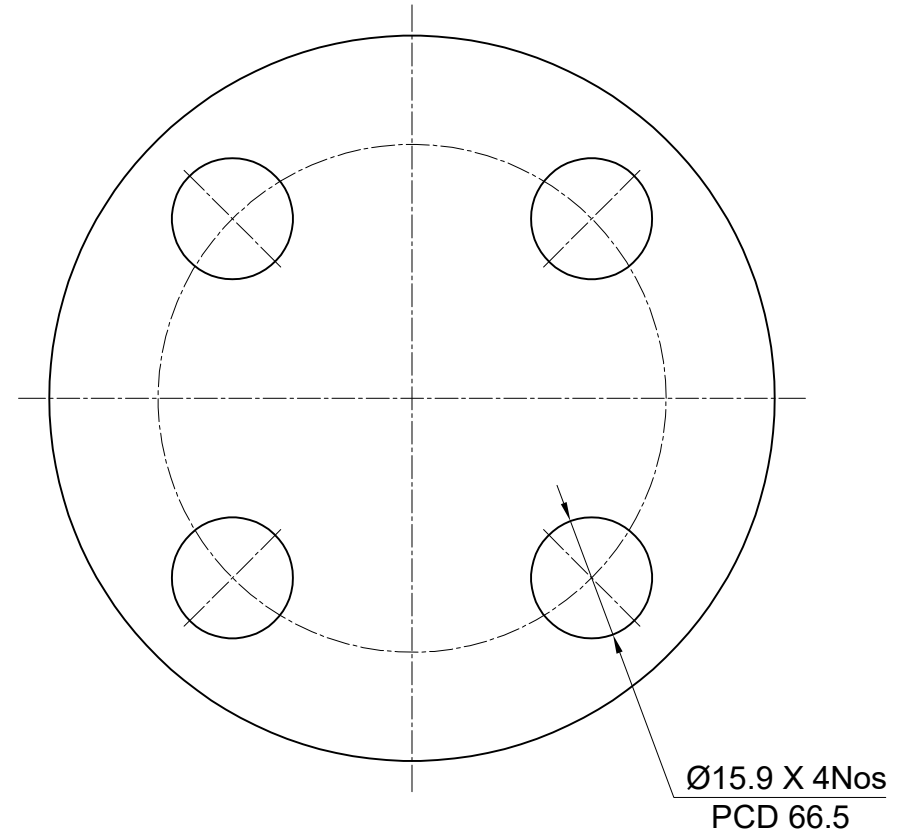
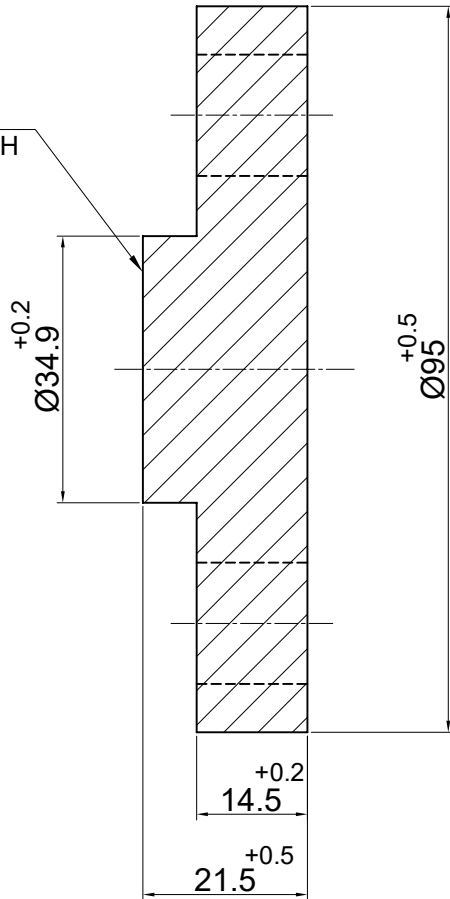


SERRATED
FACE FINISH



PATH: -T:\2022-2023\EXPORT\EN22230\0538

NOTE:
 • # MARKED DIMENSION IS IN FINGER TIGHT POSITION.
 • NPT THREAD AS PER ANSI B 1.20.1.

	SIGN	DATE
DRAWN BY	VK	04.09.2022
CHECKED BY	SB	04.09.2022
APPROVED BY	SM	04.09.2022



www.havi.in
info@havi.in

PART NAME :- 1/2" RF 600# BLIND FLANGE				CUSTOMER NAME:-							
DWG NO : BFL-8RF600-S6L				PROJECT NAME:-							
MATERIAL : SS316L				PO NO:-							
REV NO				DESCRIPTION		SIGN		DATE		SO NO: -	
ENQ NO: EN2223/00538				SHEET NO: 01 OF 01							
* All dimensions are in mm. Dimensions for reference only and are subject to change without notice				REV NO: 00							
* This document is the property of Havi Engineering India Pvt. Ltd. No exploitation or release of any text contained herein or relating to this document is permitted in any form without the written consent of HAVI.				SCALE: NTS							