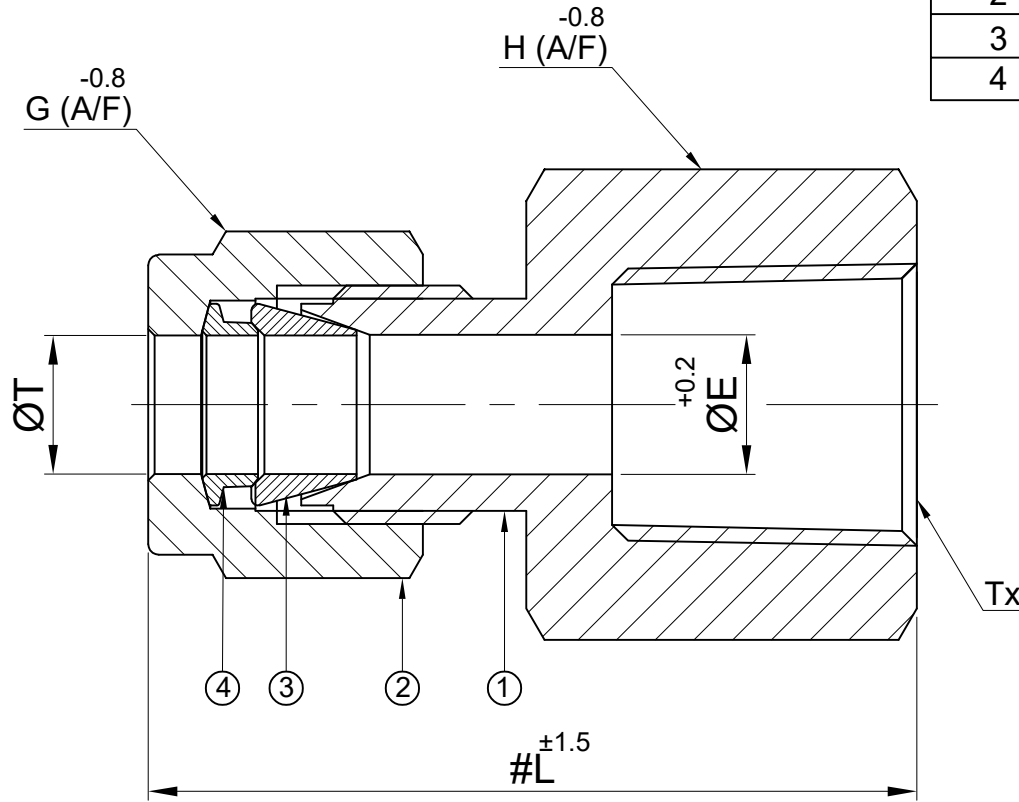


SR NO	DESCRIPTION	QTY	MATERIAL
1	BODY	1	Inconel 600
2	NUT	1	Inconel 600
3	FRONT FERRULE	1	Inconel 600
4	BACK FERRULE	1	Inconel 600



PART NO	ØT	Tx	L	H (A/F)	G (A/F)	ØE
6MBTFC8N-A6	6mm	1/2" NPT-F	42.5	27.0	14.0	6.1
10MBTFC8N-A6	10mm	1/2" NPT-F	44.0	27.0	19.0	10.1
12MBTFC8N-A6	12mm	1/2" NPT-F	47.5	27.0	22.0	12.1

NOTE:
 • # MARKED DIMENSION IS IN FINGER TIGHT POSITION.
 • NPT THREAD AS PER ANSI B 1.20.1.

	SIGN	DATE
DRAWN BY	RW	20.04.2022
CHECKED BY	VK	20.04.2022
APPROVED BY	SM	20.04.2022



www.havi.in
info@havi.in

PART NAME : BORE THROUGH FEMALE CONNECTOR
ODT x NPT-F

DWG NO : GA-FC-A6

MATERIAL : AS PER BOM

CUSTOMER NAME:-

PROJECT NAME:-

PO NO: -

ENQ-NO: EN2223/00095

SO NO: -

SHEET NO:
01 OF 01



REV NO: 00

SCALE: NTS

* All dimensions are in mm. Dimensions for reference only and are subject to change without notice
 * This document is the property of Havi Engineering India Pvt. Ltd. No exploitation or release of any text contained herein or relating to this document is permitted in any form without the written consent of HAVI.