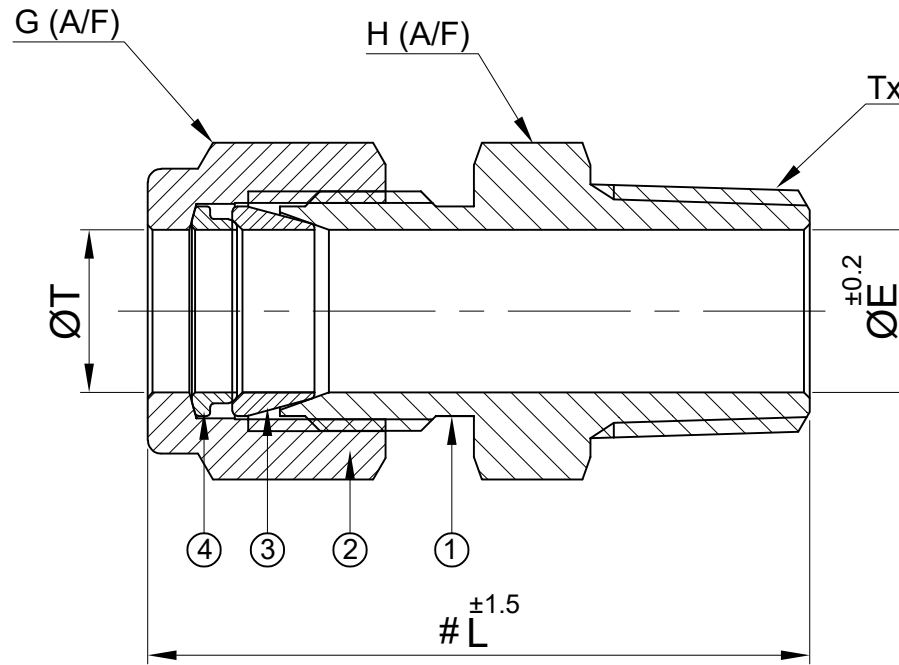


SR NO	DESCRIPTION	QTY	MATERIAL
1	BODY	1	SS316
2	NUT	1	SS316
3	FRONT FERRULE	1	SS316
4	BACK FERRULE	1	SS316



PART NO	ØT	Tx	L	H (A/F)	G (A/F)	ØE
6MBTMC4N-S6	6mm	1/4" NPT-M	38.5	14.0	14.0	6.1
6MBTMC8N-S6	6mm	1/2" NPT-M	44.5	22.0	14.0	6.1
10MBTMC8N-S6	10mm	1/2" NPT-M	46.0	22.0	19.0	10.1

NOTE:

- # MARKED DIMENSION IS IN FINGER TIGHT POSITION.
- NPT THREAD AS PER ANSI B 1.20.1.

	SIGN	DATE
DRAWN BY	RW	04.05.2022
CHECKED BY	VK	04.05.2022
APPROVED BY	SM	04.05.2022



www.havi.in
info@havi.in

PART NAME : BORE THROUGH MALE CONNECTOR ODT x NPT-M				CUSTOMER NAME:-			
DWG NO : GA-BTMC-S6				PROJECT NAME:-			
MATERIAL : AS PER BOM				PO NO: -			
				ENQ NO: EN2223/00089			
				SO NO: -			
REV NO	DESCRIPTION	SIGN	DATE				
<p>* All dimensions are in mm. Dimensions for reference only and are subject to change without notice * This document is the property of Havi Engineering India Pvt. Ltd. No exploitation or release of any text contained herein or relating to this document is permitted in any form without the written consent of HAVI.</p>							
				SHEET NO: 01 OF 01			
				REV NO: 00			
				SCALE: NTS			