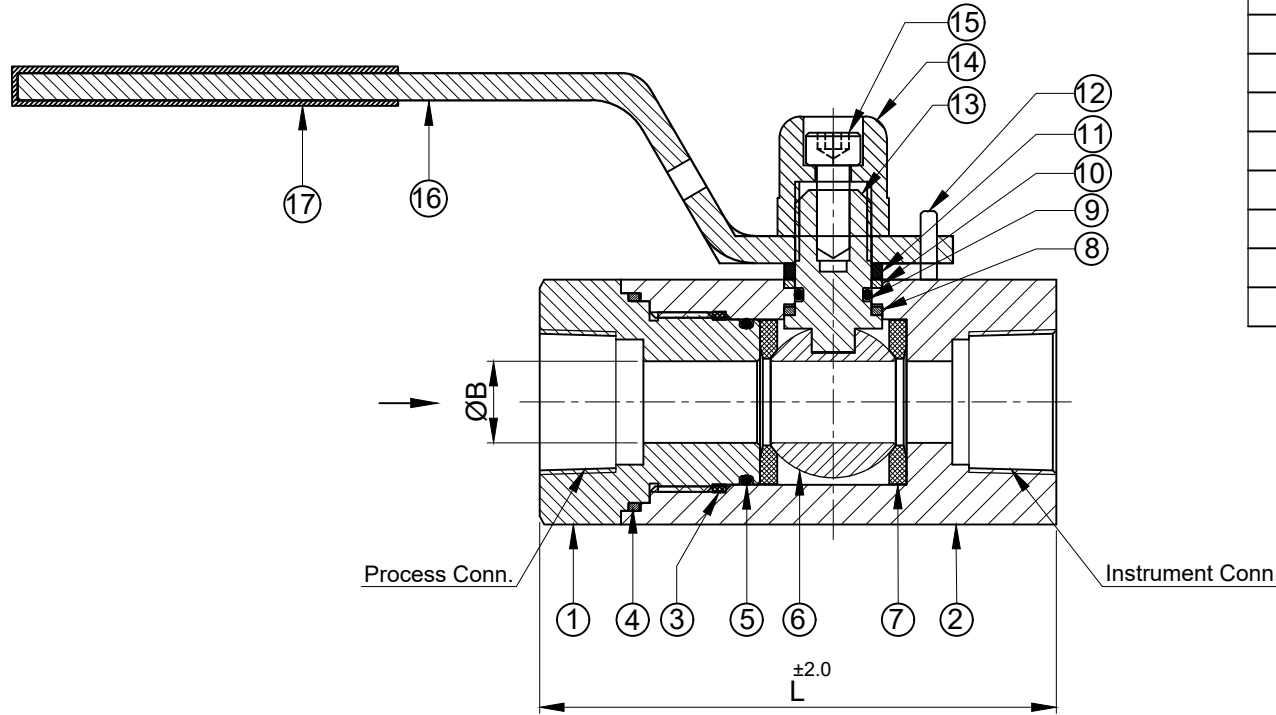


PART CODE	PROCESS CONN.	INSTRUMENT CONN.	ØB	L
BV10K-10B-8F-8F-S6	1/2" NPT-F	1/2" NPT-F	10.0	88

Sr No	PART	MATERIAL	QTY
1	END CONNECTOR	ASTM A479 Gr. SS316	1
2	BODY	ASTM A479 Gr. SS316	1
3	PRIMARY SEAL	PTFE	1
4	SECONDARY SEAL	GRAPHITE	1
5	CONN. O RING	VITON (AED TYPE)	1
6	BALL	ASTM A479 Gr. SS316	1
7	BALL SEAT	PEEK	2
8	THRUST SEAL	CFT	1
9	SPINDLE O-RING	VITON (AED TYPE)	1
10	GLAND SEAL	GRAPHITE	1
11	GLAND WASHER	ASTM A479 Gr. SS316	1
12	LOCK PIN	SS 304	1
13	SPINDLE	ASTM A479 Gr. SS316	1
14	HANDLE NUT	SS304	1
15	ALLEN BOLT	SS304	1
16	HANDLE	SS304	1
17	HANDLE SLEEVE	PVC	1



**SPECIFICATION:**

1/4" TURN LEVER TYPE OPERATION  
 UNIDIRECTIONAL  
 MAX WORKING PRESSURE : 10000 psig @ 100 °F

END CONNECTION: NPT-F (ASME B1.20.1)

TESTING : AS PER API 598

Body Test Press (Hydro): 15000 psig

Seat Test Press (Hydro): 11000 psig

Seat Test Press (Pneu): 90 psig

**havi**  
 Fittings & Valves  
 info@havi.in www.havi.in  
 A-201, PRIME TRADE CENTER  
 SATIVALI ROAD, VASAI (E),  
 PALGHAR - 401208, MAHARASHTRA, INDIA

	SIGN	DATE
DRAWN BY	MBC	09.05.2023
CHECKED BY	MST	09.05.2023
APPROVED BY	SRD	09.05.2023

PART NAME : BALL VALVE 10K SERIES, NPT(F) X NPT(F)		CUSTOMER NAME: -	
DWG NO : - BV10K-10B-8F-8F-S6		PROJECT NAME & NO: -	
MATERIAL : - AS PER BOM		ENQ NO: EN2324/00166	
REV NO		SIGN	
DESCRIPTION		DATE	
SO NO:		SHEET NO: 01 OF 01	
* All dimensions are in mm. Dimensions for reference only and are subject to change without notice		REV NO: 00	
* This document is the property of Havi Engineering India Pvt. Ltd. No exploitation or release of any text contained herein or relating to this document is permitted in any form without the written consent of HAVI.		SCALE: NTS	

J  
I  
H  
G  
F  
E  
D  
C  
B  
A

PATH: - G:\2023-2024\EXPORT\EN2324\0166