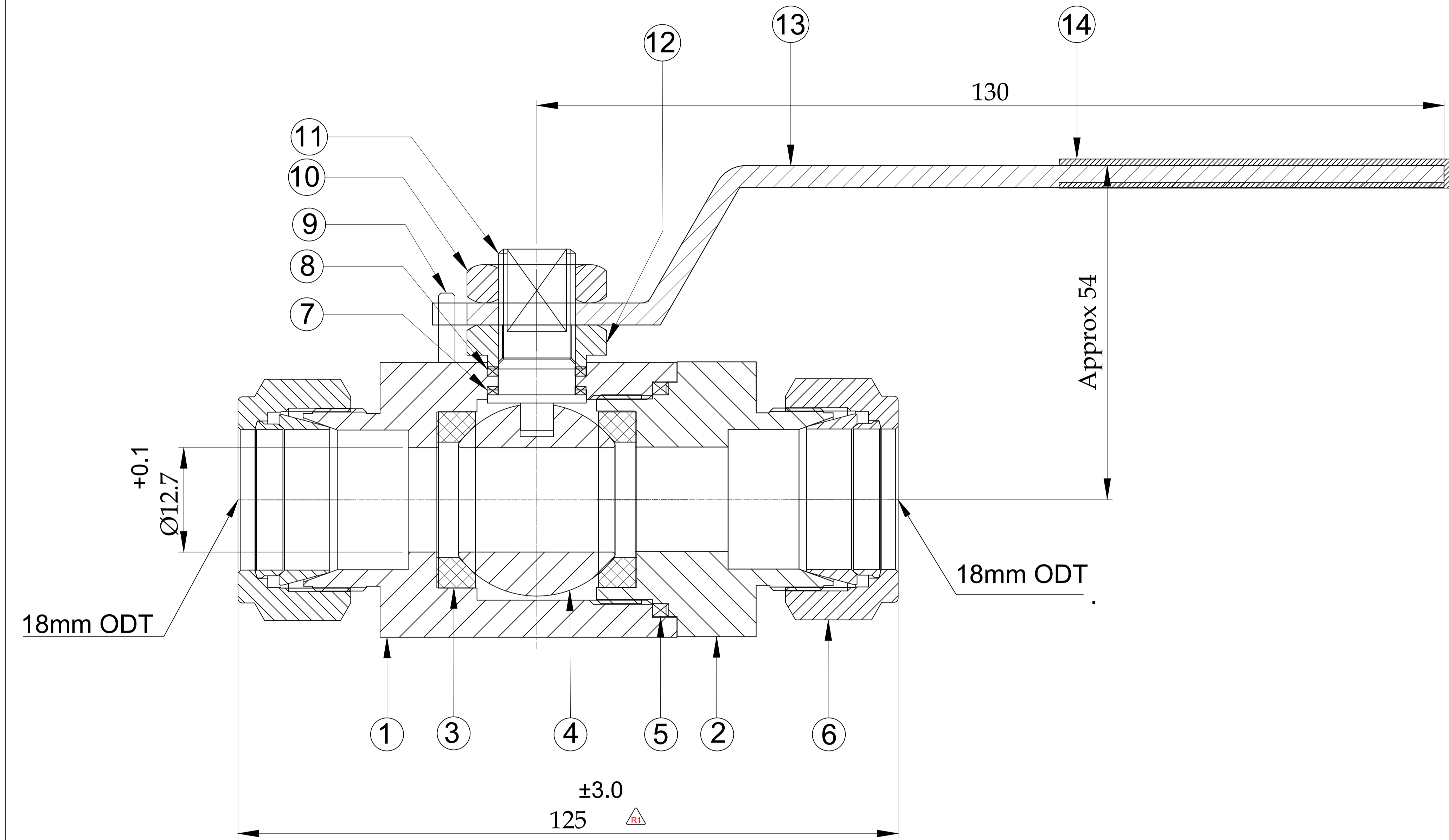


SR NO	QTY
13	249
28	171




Sr No	PART	Material	QTY
1	BODY	ASTM A479 Gr.SS316	1
2	END CONNECTOR	ASTM A479 Gr.SS316	1
3	BALL SEAT	R-PTFE / PEEK	2
4	BALL	ASTM A479 Gr.SS316	1
5	CONNECTOR PACKING	PTFE / RPTFE	1
6	NUT	ASTM A479 Gr.SS316	2
7	THRUST WASHER	PTFE / RPTFE	1
8	GLAND PACKING	PTFE / RPTFE	1
9	LOCK PIN	SS304	1
10	HANDLE NUT	ASTM A479 Gr.SS316	1
11	SPINDLE	ASTM A479 Gr.SS316	1
12	GLAND NUT	ASTM A479 Gr.SS316	1
13	HANDLE	ASTM A479 Gr.SS316	1
14	HANDLE SLEEVE	PVC	1

SPECIFICATION.:

Process Conn.: 18mm ODT
End Conn.: 18mm ODT With Double Ferrule

Testing.: As per API 598
Max Working Pressure.: 6000 psig @ 100°F
Body Test Press (Hydro).: 9000 psig
Seat Test Press (Hydro).: 6600 psig
Seat Test Press (Pneu).: 90 psig

PART NAME : BALL VALVE FULL PORT 18mm ODT		CUSTOMER NAME: -	
DWG NO : BV6K-12.7B-18MT-18MT-S6		PROJECT NAME:-	
MATERIAL : AS PER BOM		END USER NAME :-	
REV NO		01	TOTAL LENGTH REVISED
SIGN		PDG	30-11-2023
DATE		08-11-2023	08-11-2023
DRAWN BY		PDG	08-11-2023
CHECKED BY		MBC	08-11-2023
APPROVED BY		SRD	08-11-2023
PO NO:- VSP-14041794		SHEET NO: 10 OF 16	
ENQ NO: EN2223/01219		SO NO:- SO2324/00273	


havi
 Fittings & Valves
 www.havi.in
 info@havi.in

* All dimensions are in mm. Dimensions for reference only and are subject to change without notice
* This document is the property of Havi Engineering India Pvt. Ltd. No exploitation or release of any text contained herein or relating to this document is permitted in any form without the written consent of HAVI.

PATH: X:\IFY 2023-24\ISO-0273\GAD\SUBMITTED GAD\1