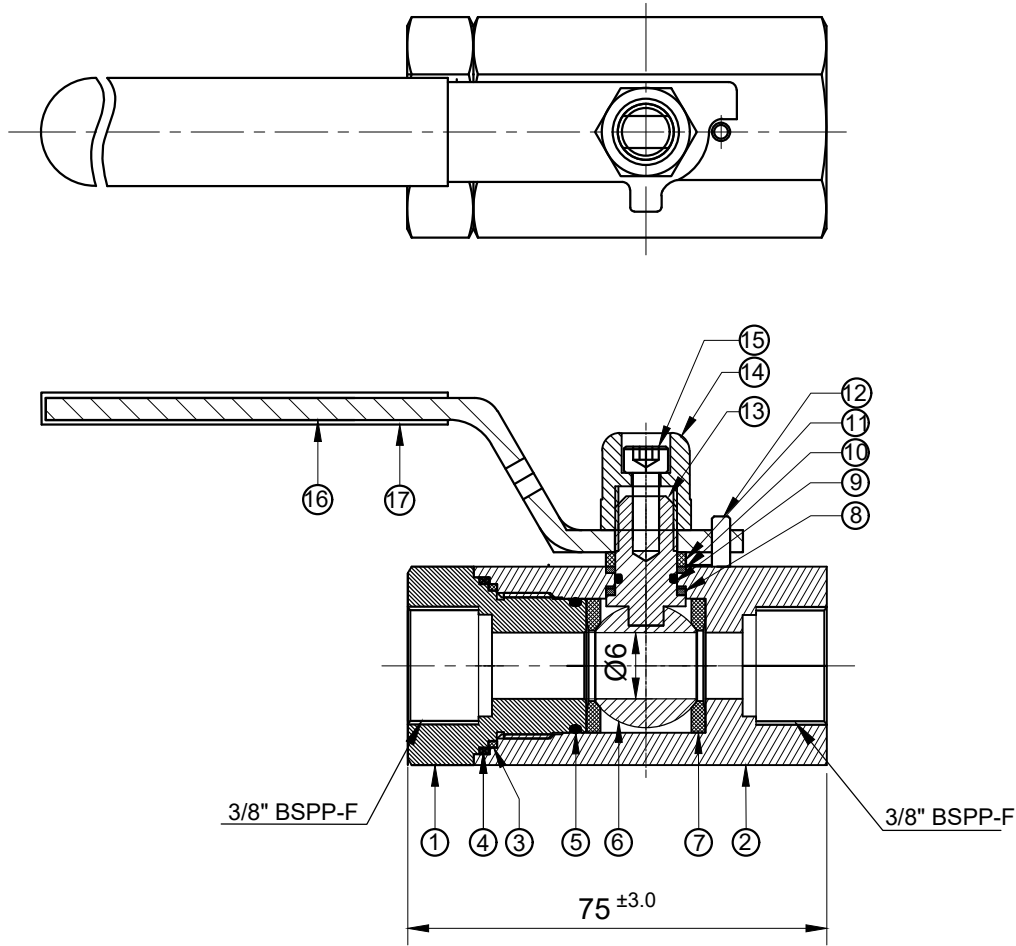


| SR No. | Qty |
|--------|-----|
| 02     | 20  |



| Sr No | PART             | MATERIAL            | QTY |
|-------|------------------|---------------------|-----|
| 1     | END CONNECTOR    | ASTM A479 Gr. SS316 | 1   |
| 2     | BODY             | ASTM A479 Gr. SS316 | 1   |
| 3     | PRIMARY SEAL     | PTFE/CFT            | 1   |
| 4     | SECONDARY SEAL   | PTFE/CFT            | 1   |
| 5     | CONNECTOR O-RING | VITON (AED TYPE)    | 1   |
| 6     | BALL             | ASTM A479 Gr. SS316 | 1   |
| 7     | BALL SEAT        | PEEK                | 2   |
| 8     | THRUST SEAL      | CARBON FILLED PTFE  | 1   |
| 9     | SPINDLE O-RING   | VITON (AED TYPE)    | 1   |
| 10    | GLAND SEAL       | GRAPHITE            | 1   |
| 11    | GLAND WASHER     | ASTM A479 Gr. SS316 | 1   |
| 12    | LOCK PIN         | SS 304              | 1   |
| 13    | SPINDLE          | ASTM A479 Gr. SS316 | 1   |
| 14    | HANDLE NUT       | SS 304              | 1   |
| 15    | ALLEN BOLT       | SS 304              | 1   |
| 16    | HANDLE           | SS 304              | 1   |
| 17    | HANDLE SLEEVE    | PVC                 | 1   |

**SPECIFICATION:**

Lever Type Operation  
 Max Pressure Rating: 6000 psig @ 100°F  
 Bore Diameter: Ø6mm  
 Body Test Press (Hydro): 9000 psig  
 Seat Test Press (Hydro): 6600 psig  
 Seat Test Press (Pneu): 90 psig  
 M.W.T : -54°C TO 260°C

|  |  |  |  |                     |  |      |  |  |  |                     |  |                       |  |
|--|--|--|--|---------------------|--|------|--|--|--|---------------------|--|-----------------------|--|
| PART NAME :<br>Ball Valve 6K Series, 3/8" BSPP-F X 3/8" BSPP-F |  |  |  | CUSTOMER NAME : VSP |  |      |  |  |  |                     |  |                       |  |
| PART NO : BV6K-6IPF-6IPF-S6                                    |  |  |  | PO NO.:             |  |      |  |  |  |                     |  |                       |  |
| MATERIAL : As per BOM  |  |  |  | ENQ NO:             |  |      |  |  |  |                     |  |                       |  |
| REV NO   |  |  |  | DESCRIPTION         |  | SIGN |  | DATE   |  | SO NO: SO2324/00358 |  | SHEET NO:<br>02 OF 02 |  |
| DRAWN BY   |  |  |  | SIGN                |  | DATE |  | * All dimensions are in mm. Dimensions for reference only and are subject to change without notice   |  |                     |  | REV NO: 00            |  |
| CHECKED BY   |  |  |  | SIGN                |  | DATE |  | * This document is the property of Havi Engineering India Pvt. Ltd. No exploitation or release of any text contained herein or relating to this document is permitted in any form without the written consent of HAVI. |  |                     |  | SCALE: NTS            |  |
| APPROVED BY  |  |  |  | SIGN                |  | DATE |  |  |  |                     |  |                       |  |

|             |      |            |
|-------------|------|------------|
|             | SIGN | DATE       |
| DRAWN BY    | BKR  | 19.03.2024 |
| CHECKED BY  | PDG  | 19.03.2024 |
| APPROVED BY | SRD  | 19.03.2024 |

**havi**  
Fittings & Valves

www.havi.in  
info@havi.in

PATH:-X:\FY 2023-24\ISO-0358\GAD