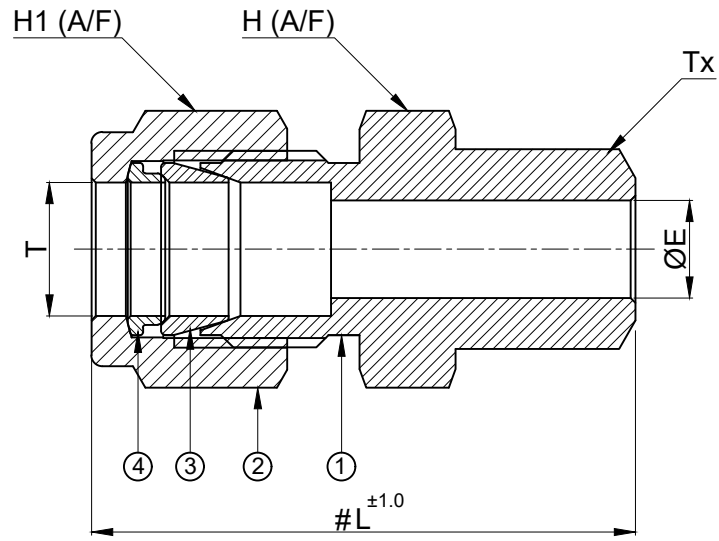



SR NO	DESCRIPTION	QTY	MATERIAL
1	BODY	1	SS 316
2	NUT	1	SS 316
3	FRONT FERRULE	1	SS 316
4	BACK FERRULE	1	SS 316



SR NO	PART NO	T(mm)	Tx	L	H1 (A/F)	H (A/F)	ØE
1	10MBWC6NB-S6	10	3/8" BW	42.0	19.0	19.0	7.9
2	15MBWC8NB-S6	15	1/2" BW	50.0	27.0	24.0	11.7
3	12MBWC12NB-S6	12	3/4" BW	49.0	22.0	28.0	9.5

 <p>havi Fittings & Valves info@havi.in www.havi.in A-201, PRIME TRADE CENTER SATIVALI ROAD, VASAI (E), PALGHAR - 401208, MAHARASHTRA, INDIA</p>	PART NAME : WELD CONNECTOR ODT X PIPE BUTT WELD		CUSTOMER NAME:-					
	DWG NO : - GA-BWMC-S6		PROJECT NAME:-					
	MATERIAL :- SS316		END USER:-					
	SIGN		DATE					
DRAWN BY	SB	22.04.2022	REV NO	DESCRIPTION	SIGN	DATE	SO NO : -	SHEET NO: 01 OF 01
CHECKED BY	VK	22.04.2022	* All dimensions are in mm. Dimensions for reference only and are subject to change without notice				REV NO: 00	
APPROVED BY	SM	22.04.2022	* This document is the property of Havi Engineering India Pvt. Ltd. No exploitation or release of any text contained herein or relating to this document is permitted in any form without the written consent of HAVI.				SCALE: NTS	

NOTE:
 • # MARKED DIMENSION IS IN FINGER TIGHT POSITION.
 • UNLESS SPECIFIED ALL DIMENSIONS ARE IN 'mm'

PATH:-Z:\2022-2023\EXPORT\EN22230080\GAD