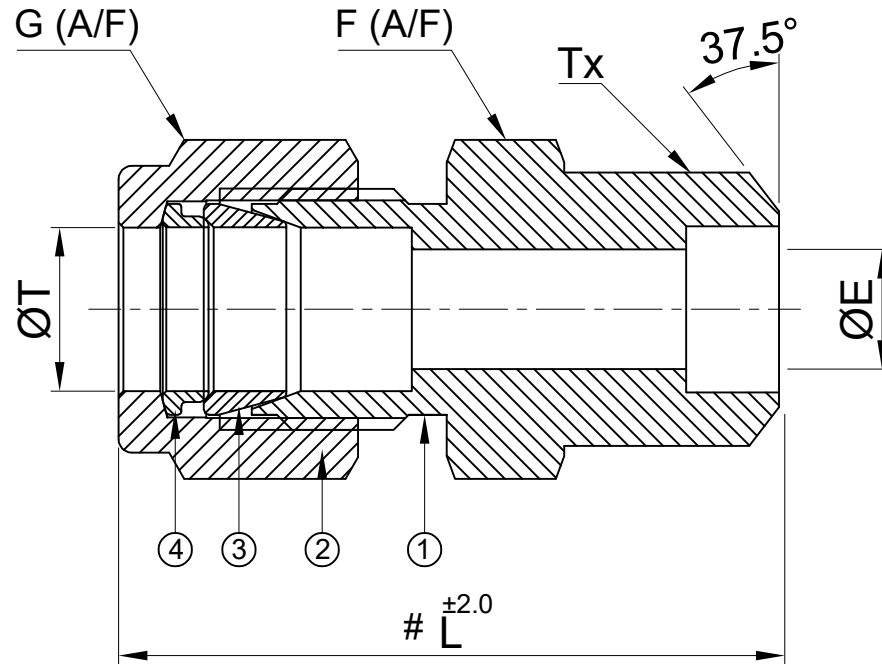


SR NO	DESCRIPTION	QTY	MATERIAL
1	BODY	1	SS 316
2	NUT	1	SS 316
3	FRONT FERRULE	1	SS 316
4	BACK FERRULE	1	SS 316



SR NO	PART NO	ØT	Tx	L	F (A/F)	G (A/F)	ØE	Pressure Rating(psig)
01	8MBWC8NB-S6	8mm	1/2" BW	46.1	22.0	16.0	6.4	6000
02	6MBWC4NB-S6	6mm	1/4" BW	38.3	14.0	14.0	4.2	6000

PART NAME : WELD CONNECTOR TUBE OD x Pipe Butt Weld				CUSTOMER NAME:-			
DWG NO : GA-BWC-S6				PROJECT NAME:-			
MATERIAL : AS PER BOM				PO NO:-			
DRAWN BY : SP				ENQ NO: EN2223/01129			
CHECKED BY : VK				SHEET NO: 01 OF 01			
APPROVED BY : SRD				SO NO: -			
REV NO	DESCRIPTION	SIGN	DATE	* All dimensions are in mm. Dimensions for reference only and are subject to change without notice * This document is the property of Havi Engineering India Pvt. Ltd. No exploitation or release of any text contained herein or relating to this document is permitted in any form without the written consent of HAVI.			
www.havi.in info@havi.in				REV NO: 00 SCALE: NTS			

NOTE:  
• # MARKED DIMENSION IS IN FINGER TIGHT POSITION.

J  
I  
H  
G  
F  
E  
D  
C  
B  
A

PATH: -X:\2022-2023\EXPORT\EN222301129\GAD