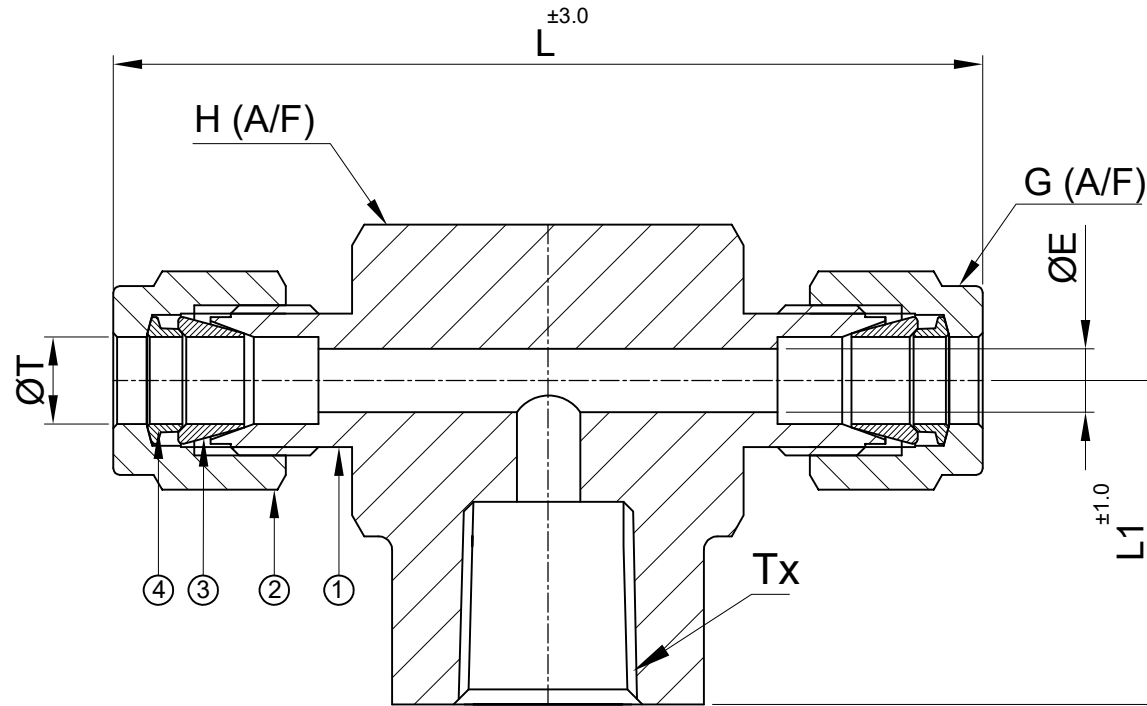


SR NO	DESCRIPTION	QTY	MATERIAL
1	BODY	1	SS 316
2	NUT	2	SS 316
3	FRONT FERRULE	2	SS 316
4	BACK FERRULE	2	SS 316



SR NO	PART NO	T	Tx	L	L1	H (A/F)	G(A/F)	ØE	Pressure Rating(Psig)
1	8MFBT4N-S6	8mm	1/4" NPT-F	67.0	23.0	20.5	16.0	6.4	6000
2	12MFBT8N-S6	12mm	1/2" NPT-F	82.0	28.5	27.0	22.0	9.5	6000

PART NAME :		CUSTOMER NAME:-	
Female Branch Tee- TUBE OD x Female Threading			
DWG NO : GA-FBT-S6		PROJECT NAME:-	
MATERIAL : SS 316		PO NO.:-	
ENQ NO: EN2223/00614		SHEET NO: 01 OF 01	
SO NO.:-		REV NO: 00	
SCALE: NTS			

	SIGN	DATE
DRAWN BY	VK	05.09.2022
CHECKED BY	SB	05.09.2022
APPROVED BY	SM	05.09.2022

havi
Fittings & Valves

www.havi.in
info@havi.in

* All dimensions are in mm. Dimensions for reference only and are subject to change without notice
* This document is the property of Havi Engineering India Pvt. Ltd. No exploitation or release of any text contained herein or relating to this document is permitted in any form without the written consent of HAVI.

NOTE:
• # MARKED DIMENSION IS IN FINGER TIGHT POSITION.
• NPT THREAD AS PER ANSI B 1.20.1.

PATH: -T:\2022-2023\EXPORT\EN2223\00614\GAD