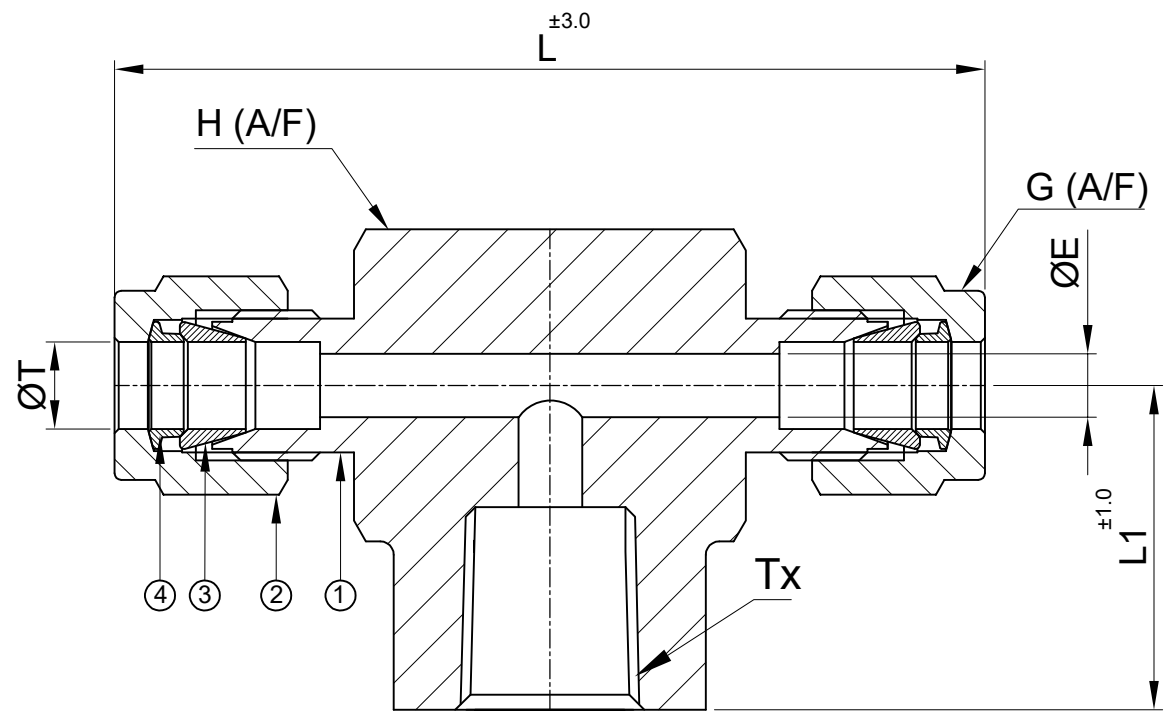


SR NO	DESCRIPTION	QTY	MATERIAL
1	BODY	1	SS 316
2	NUT	2	SS 316
3	FRONT FERRULE	2	SS 316
4	BACK FERRULE	2	SS 316



SR NO	PART NO	T	Tx	L	L1	H (A/F)	G(A/F)	ØE
1	8MFBT4N-S6	8mm	1/4" NPT-F	67.0	23.0	20.5	16.0	6.4
2	8MFBTM12X1.5-S6	8mm	M12 X 1.5P-F	67.0	23.0	20.5	16.0	6.4
3	12MFBT8N-S6	12mm	1/2" NPT-F	79.5	28.5	27.0	22.0	9.5

PART NAME : Female Branch Tee- TUBE OD x Female Threading				CUSTOMER NAME:-			
DWG NO : GA-FBT-S6				PROJECT NAME:-			
MATERIAL : SS 316				PO NO.:-			
ENQ NO: EN2223/00614				SHEET NO: 01 OF 01			
SO NO.:-				REV NO: 00			
SCALE: NTS							

	SIGN	DATE
DRAWN BY	VK	05.09.2022
CHECKED BY	SB	05.09.2022
APPROVED BY	SM	05.09.2022

havi
Fittings & Valves
www.havi.in
info@havi.in

NOTE:
 • # MARKED DIMENSION IS IN FINGER TIGHT POSITION.
 • NPT THREAD AS PER ANSI B 1.20.1.

PATH: T:\2022-2023\EXPORT\EN2223\00614