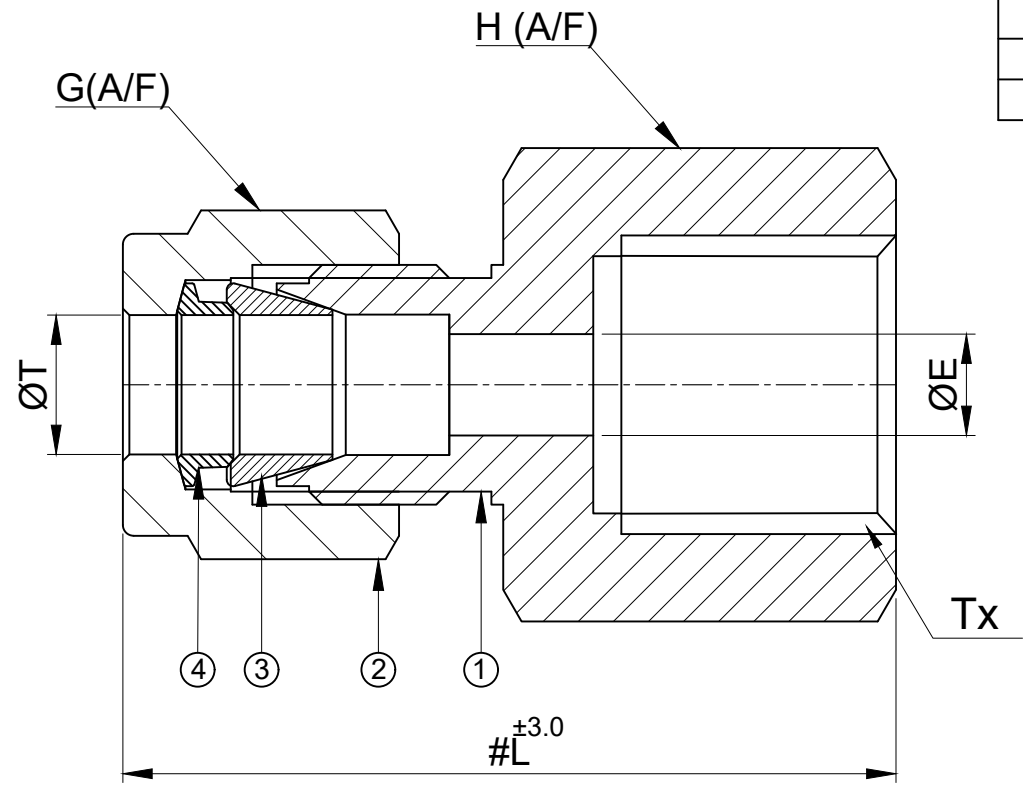


SR NO	DESCRIPTION	QTY	MATERIAL
1	BODY	1	SS 316
2	NUT	1	SS 316
3	FRONT FERRULE	1	SS 316
4	BACK FERRULE	1	SS 316



SR NO	PART NO	T	Tx	L	H (A/F)	G (A/F)	ØE
1	14MFCM20-S6	14mm	M20 x 1.5P	48.5	27.0(1-1/16")	25(1")	11.1
2	8MFC4IP-S6	8mm	1/4" BSPP-F	38.5	19.0 (3/4")	16(5/8")	5.4

PART NAME : FEMALE CONNECTOR - TUBE OD x Metric Female Threading				CUSTOMER NAME:-			
DWG NO : GA-FCM-S6				PROJECT NAME:-			
MATERIAL : SS 316				PO NO:-			
				ENQ NO: EN2223/0778			
				SO NO: -			
				SHEET NO: 04 OF 06			
				REV NO: 00			
				SCALE: NTS			

	SIGN	DATE
DRAWN BY	PG	12-04-2023
CHECKED BY	MC	12-04-2023
APPROVED BY	SRD	12-04-2023



NOTE:
 • # MARKED DIMENSION IS IN FINGER TIGHT POSITION.

* All dimensions are in mm. Dimensions for reference only and are subject to change without notice
 * This document is the property of Havi Engineering India Pvt. Ltd. No exploitation or release of any text contained herein or relating to this document is permitted in any form without the written consent of HAVI.

PATH-J:\2022-2023\EXPORT\EN22300778