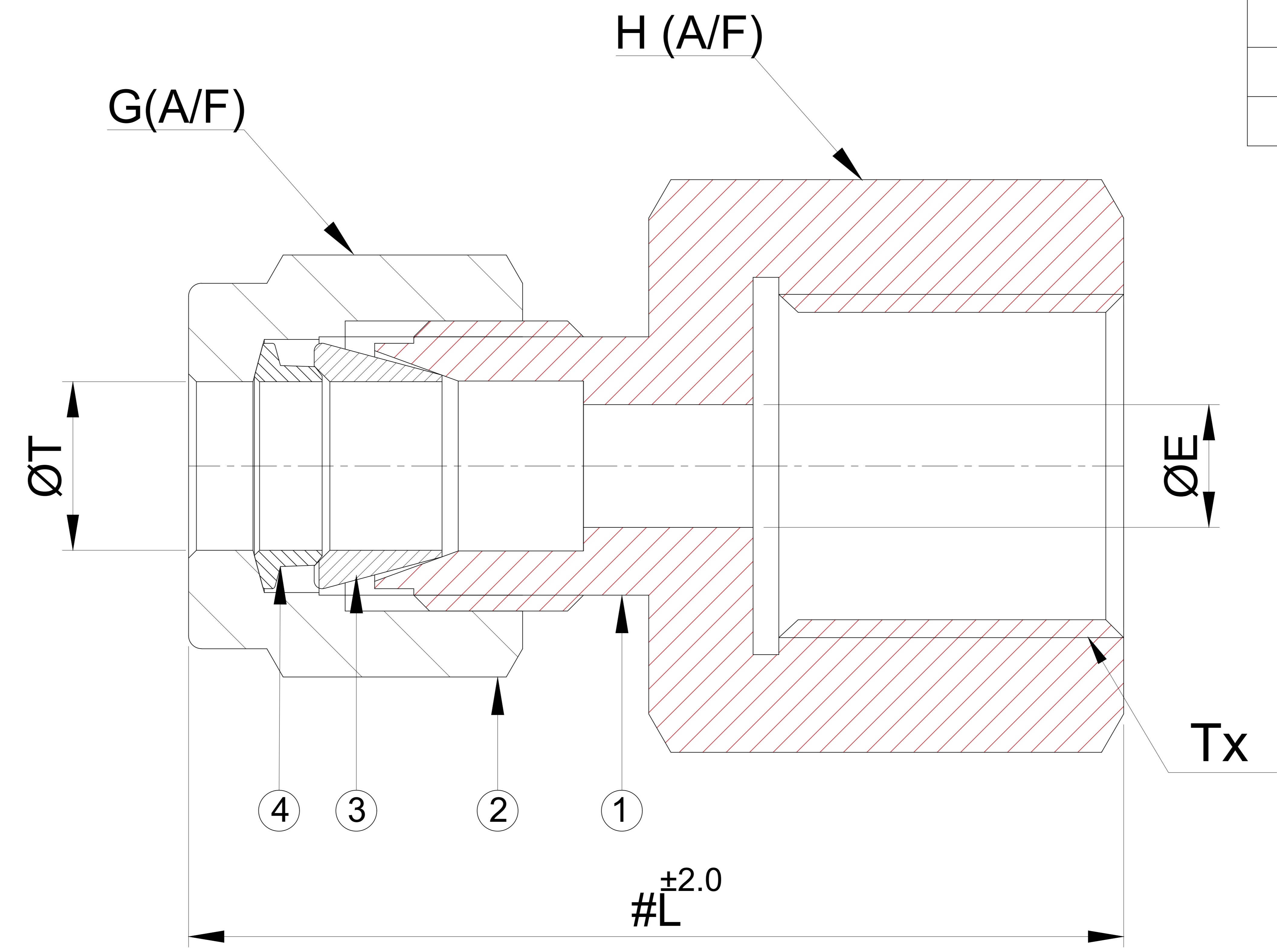



SR NO	DESCRIPTION	QTY	MATERIAL
1	BODY	1	SS 316
2	NUT	1	SS 316
3	FRONT FERRULE	1	SS 316
4	BACK FERRULE	1	SS 316



SR NO	PART NO	T	Tx	L	H (A/F)	G(A/F)	ØE
1	12MFCM20-S6	12mm	M20 X 1.5P -F	48.7	27.0	22.0	9.5
2	12MFC8IP-S6	12mm	1/2" BSPP-F	43.5	27.0	22.0	9.5

R2

PART NAME : FEMALE CONNECTOR - TUBE OD x Female Threading				CUSTOMER NAME:-							
DWG NO : GA-FC-S6				PROJECT NAME:-							
MATERIAL : SS 316				PO NO:-							
REV NO				DESCRIPTION		SIGN		DATE		SO NO: -	
DRAWN BY		SIGN		DATE		ENQ NO: EN2223/00776		SHEET NO: 01 OF 01		REV NO: 01	
CHECKED BY		SIGN		DATE		PG		13.01.2023		SCALE: NTS	
APPROVED BY		SIGN		DATE		PG		13.01.2023		SCALE: NTS	


havi
 Fittings & Valves
 www.havi.in
 info@havi.in

NOTE:
 • # MARKED DIMENSION IS IN FINGER TIGHT POSITION.
 • NPT THREAD AS PER ANSI B 1.20.1.

PATH: C:\USERS\DESIGN\3\DESKTOP