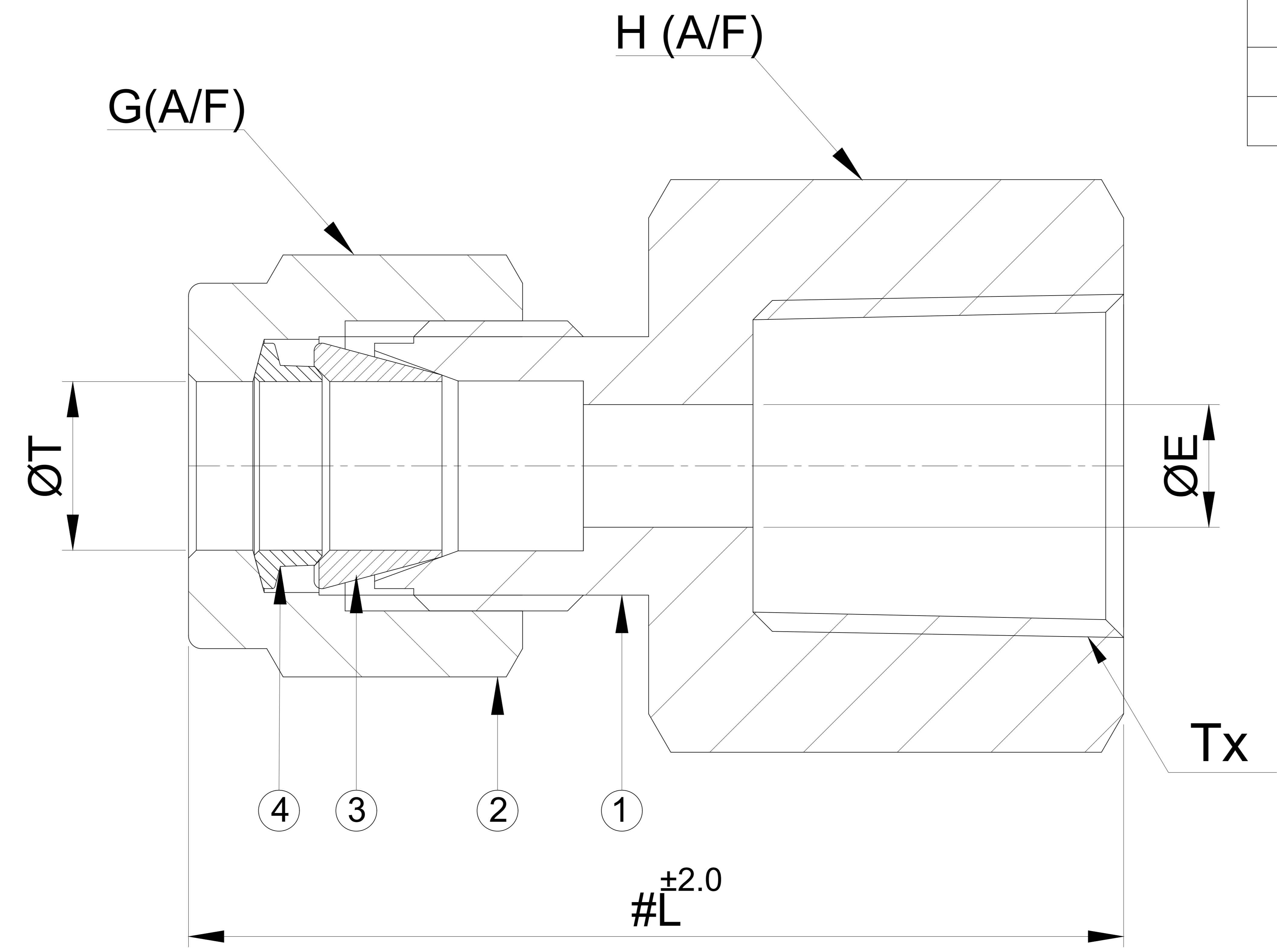


SR NO	DESCRIPTION	QTY	MATERIAL
1	BODY	1	SS 316
2	NUT	1	SS 316
3	FRONT FERRULE	1	SS 316
4	BACK FERRULE	1	SS 316



SR NO	PART NO	T	Tx	L	H (A/F)	G(A/F)	ØE
1	12MFC4N-S6	12mm	1/4" NPT-F	40.0	22.0	22.0	9.5
2	12MFC8N-S6	12mm	1/2" NPT-F	47.5	27.0	22.0	9.5
3	12MFC8IP-S6	12mm	1/2" BSPP-F	43.5	27.0	22.0	9.5
4	12MFCM20-S6	12mm	M20 X 1.5P -F	48.7	27.0	22.0	9.5

△R1

PART NAME : FEMALE CONNECTOR - TUBE OD x Female Threading				CUSTOMER NAME:-			
DWG NO : GA-FC-S6				PROJECT NAME:-			
MATERIAL : SS 316				PO NO:-			
				ENQ NO: EN2223/00776			
				SHEET NO: 01 OF 01			
				SO NO: - 0344			
				REV NO: 01			
				SCALE: NTS			

	SIGN	DATE
DRAWN BY	VK	30.09.2022
CHECKED BY	SB	30.09.2022
APPROVED BY	SM	30.09.2022



* All dimensions are in mm. Dimensions for reference only and are subject to change without notice
 * This document is the property of Havi Engineering India Pvt. Ltd. No exploitation or release of any text contained herein or relating to this document is permitted in any form without the written consent of HAVI.

NOTE:
 • # MARKED DIMENSION IS IN FINGER TIGHT POSITION.
 • NPT THREAD AS PER ANSI B 1.20.1.

PATH: C:\USERS\DESIGN-3\DESKTOP