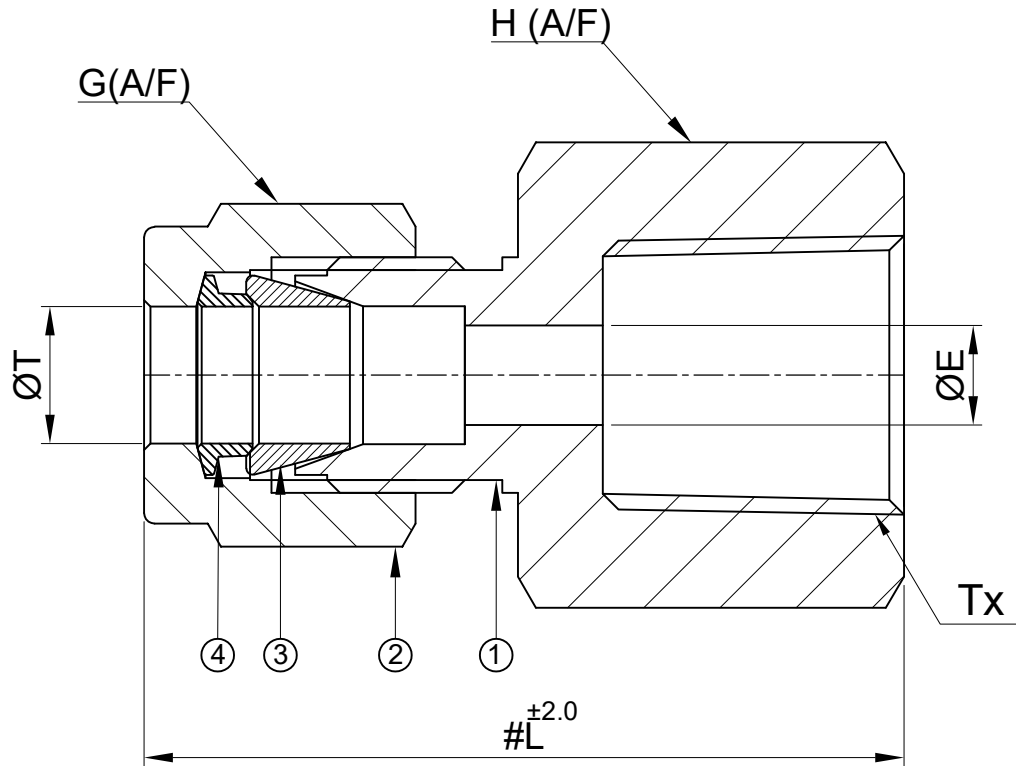



SR NO	DESCRIPTION	QTY	MATERIAL
1	BODY	1	SS 316
2	NUT	1	SS 316
3	FRONT FERRULE	1	SS 316
4	BACK FERRULE	1	SS 316



SR NO	PART NO	T	Tx	L	H (A/F)	G (A/F)	ØE	Pressure Rating(psig)
01	12MFC8IT-S6	12mm	1/2" BSPT-F	48.7	27.0	22.0	9.5	6000
02	18MFC8N-S6	18mm	1/2" NPT-F	46.8	27.0	32.0	11.8	3000
03	18MFC8IT-S6	18mm	1/2" BSPT-F	46.8	27.0	32.0	11.8	3000

PART NAME :- FEMALE CONNECTOR - TUBE OD x Threading				CUSTOMER NAME :-			
DWG NO : GA-FC-S6				PROJECT NAME :-			
MATERIAL : SS 316				PO NO :-			
				ENQ NO: EN2223/01129			
				SHEET NO: 01 OF 01			
				SO NO :-			
REV NO	DESCRIPTION	SIGN	DATE				
				* All dimensions are in mm. Dimensions for reference only and are subject to change without notice			
				* This document is the property of Havi Engineering India Pvt. Ltd. No exploitation or release of any text contained herein or relating to this document is permitted in any form without the written consent of HAVI.			
				REV NO: 00			
				SCALE: NTS			

	SIGN	DATE
DRAWN BY	SP	14.01.2023
CHECKED BY	VK	14.01.2023
APPROVED BY	SRD	14.01.2023


www.havi.in
info@havi.in

NOTE:

- # MARKED DIMENSION IS IN FINGER TIGHT POSITION.
- NPT THREAD AS PER ANSI B 1.20.1.

PATH: -X13022-2023\EXPORT\EN222301129\GAD