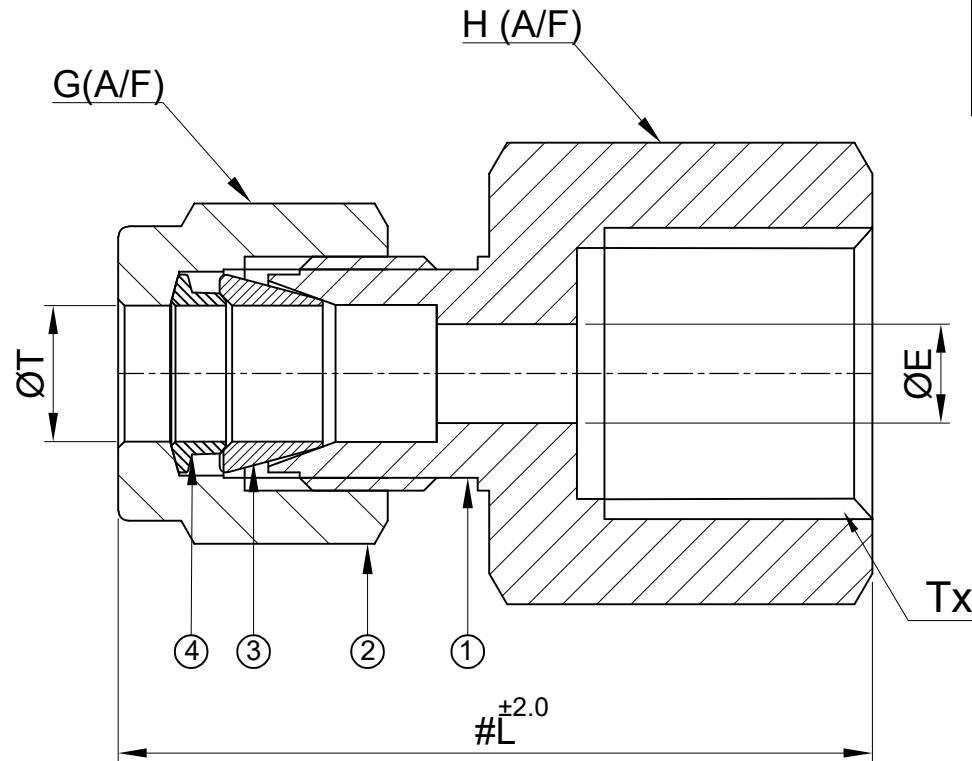


| SR NO | DESCRIPTION   | QTY | MATERIAL |
|-------|---------------|-----|----------|
| 1     | BODY          | 1   | SS 316   |
| 2     | NUT           | 1   | SS 316   |
| 3     | FRONT FERRULE | 1   | SS 316   |
| 4     | BACK FERRULE  | 1   | SS 316   |



| SR NO | PART NO     | T    | Tx         | L    | H (A/F) | G(A/F) | ØE   | Pressure Rating (Psig) |
|-------|-------------|------|------------|------|---------|--------|------|------------------------|
| 1     | 14MFC8IP-S6 | 14mm | 1/2" BSP-F | 48.4 | 27.0    | 25(1") | 11.1 | 3000                   |
| 8     | 8MFC8IP-S6  | 8mm  | 1/2" BSP-F | 45.0 | 27.0    | 16.0   | 6.4  | 6000                   |

|  |             |      |      |   |  |  |  |
|--|-------------|------|------|---|--|--|--|
| PART NAME : FEMALE CONNECTOR -<br>TUBE OD x BSP Female Threading |             |      |      | CUSTOMER NAME:-   |  |  |  |
| DWG NO : GA-FCIP-S6  |             |      |      | PROJECT NAME:-  |  |  |  |
| MATERIAL : SS 316  |             |      |      | PO NO:-   |  |  |  |
| DRAWN BY SB 13.01.2023   |             |      |      | ENQ NO: EN2223/01152  |  |  |  |
| CHECKED BY VK 13.01.2023   |             |      |      | SHEET NO: 01 OF 01  |  |  |  |
| APPROVED BY SD 13.01.2023  |             |      |      | SO NO: -  |  |  |  |
| REV NO   | DESCRIPTION | SIGN | DATE | <p>* All dimensions are in mm. Dimensions for reference only and are subject to change without notice</p> <p>* This document is the property of Havi Engineering India Pvt. Ltd. No exploitation or release of any text contained herein or relating to this document is permitted in any form without the written consent of HAVI.</p> |  |  |  |
|  |             |      |      |   |  |  |  |
|  |             |      |      | REV NO: 00  |  |  |  |
|  |             |      |      | SCALE: NTS  |  |  |  |

NOTE:  
• # MARKED DIMENSION IS IN FINGER TIGHT POSITION.

PATH: -Z:\2022-2023\EXPORT\EN222301152\GAD

16 15 14 13 12 11 10 9 8 7 6 5 4 3 2 1