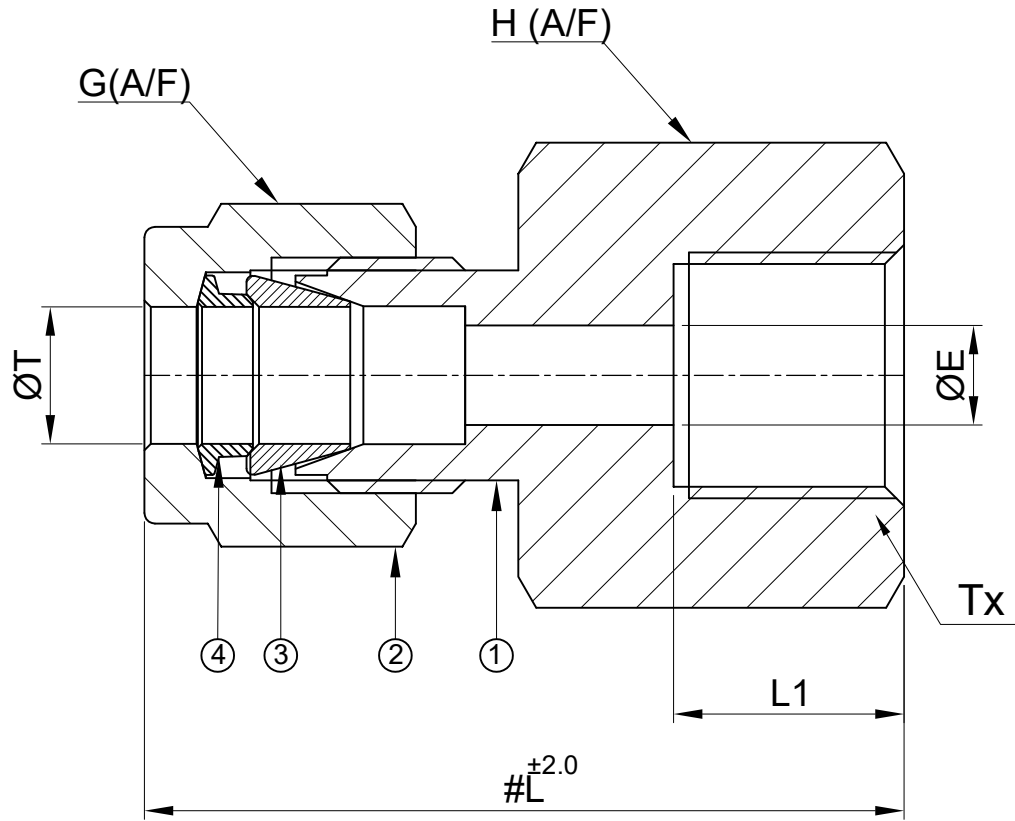


SR NO	DESCRIPTION	QTY	MATERIAL
1	BODY	1	SS 316
2	NUT	1	SS 316
3	FRONT FERRULE	1	SS 316
4	BACK FERRULE	1	SS 316



SR NO	PART NO	T	Tx	L	H (A/F)	G(A/F)	ØE	Pressure Rating(psig)
01	18MFCM20-S6	18mm	M20X1.5	46.8	27.0	32.0	11.8	3000
02	22MFCM20-S6	22mm	M20X1.5	51.5	32.0	32.0	11.8	1000

PART NAME : FEMALE CONNECTOR - TUBE OD x Metric Female Threading				CUSTOMER NAME:-			
DWG NO : GA-FCM-S6				PROJECT NAME:-			
MATERIAL : SS 316				PO NO:-			
DRAWN BY : SP				ENQ NO: EN2223/01129			
CHECKED BY : VK				SHEET NO: 01 OF 01			
APPROVED BY : SRD				SO NO: -			
REV NO	DESCRIPTION	SIGN	DATE	* All dimensions are in mm. Dimensions for reference only and are subject to change without notice			
www.havi.in info@havi.in				* This document is the property of Havi Engineering India Pvt. Ltd. No exploitation or release of any text contained herein or relating to this document is permitted in any form without the written consent of HAVI.			
havi Fillings & Valves				REV NO: 00			
				SCALE: NTS			

NOTE:  
• # MARKED DIMENSION IS IN FINGER TIGHT POSITION.