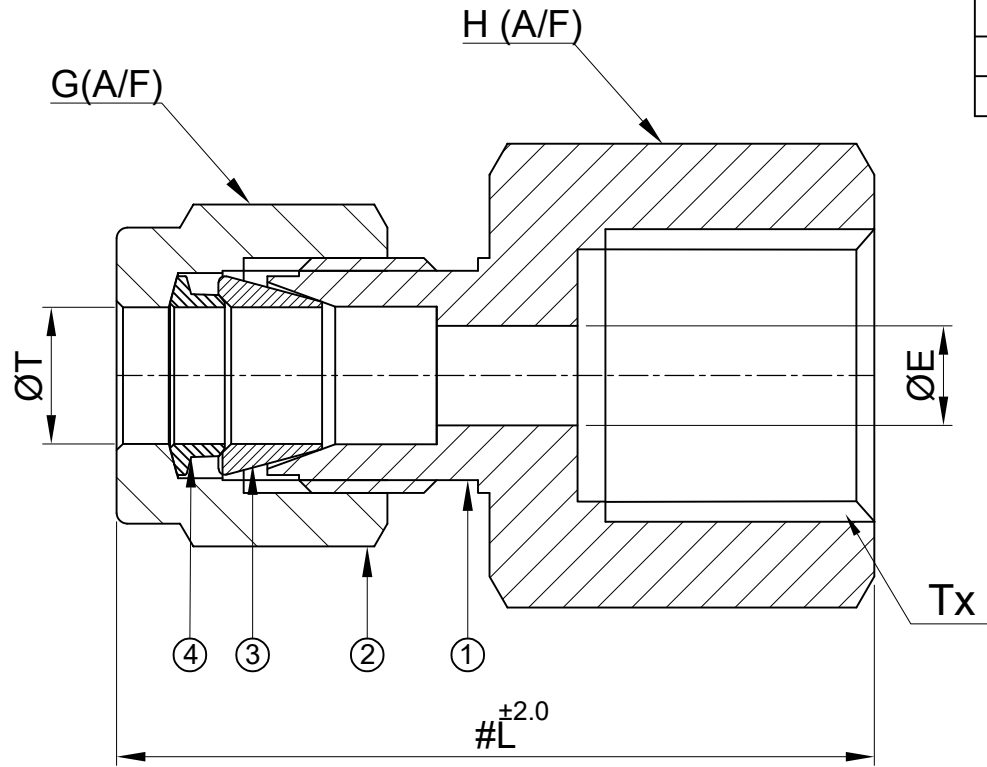


SR NO	DESCRIPTION	QTY	MATERIAL
1	BODY	1	SS 316
2	NUT	1	SS 316
3	FRONT FERRULE	1	SS 316
4	BACK FERRULE	1	SS 316



SR NO	PART NO	T	Tx	L	H (A/F)	G(A/F)	ØE	Pressure Rating (Psig)
6	14MFCM20-S6	14mm	M20 x 1.5P	48.4	27.0	25(1")	11.1	3000
7	12MFCM20-S6	12mm	M20 x 1.5P	48.7	27.0	22.0	9.5	6000

PATH: -Z:\2022-2023\EXPORT\ITEM\222301152\GAD

NOTE:
 • # MARKED DIMENSION IS IN FINGER TIGHT POSITION.

	SIGN	DATE
DRAWN BY	SB	13.01.2023
CHECKED BY	VK	13.01.2023
APPROVED BY	SD	13.01.2023

havi
 Filings & Valves
 www.havi.in
 info@havi.in

PART NAME : FEMALE CONNECTOR - TUBE OD x M20 Female Threading				CUSTOMER NAME:-							
DWG NO : GA-FCM20-S6				PROJECT NAME:-							
MATERIAL : SS 316				PO NO:-							
REV NO				DESCRIPTION		SIGN		DATE		SO NO: -	
* All dimensions are in mm. Dimensions for reference only and are subject to change without notice										SHEET NO: 01 OF 01	
* This document is the property of Havi Engineering India Pvt. Ltd. No exploitation or release of any text contained herein or relating to this document is permitted in any form without the written consent of HAVI.										REV NO: 00	
										SCALE: NTS	