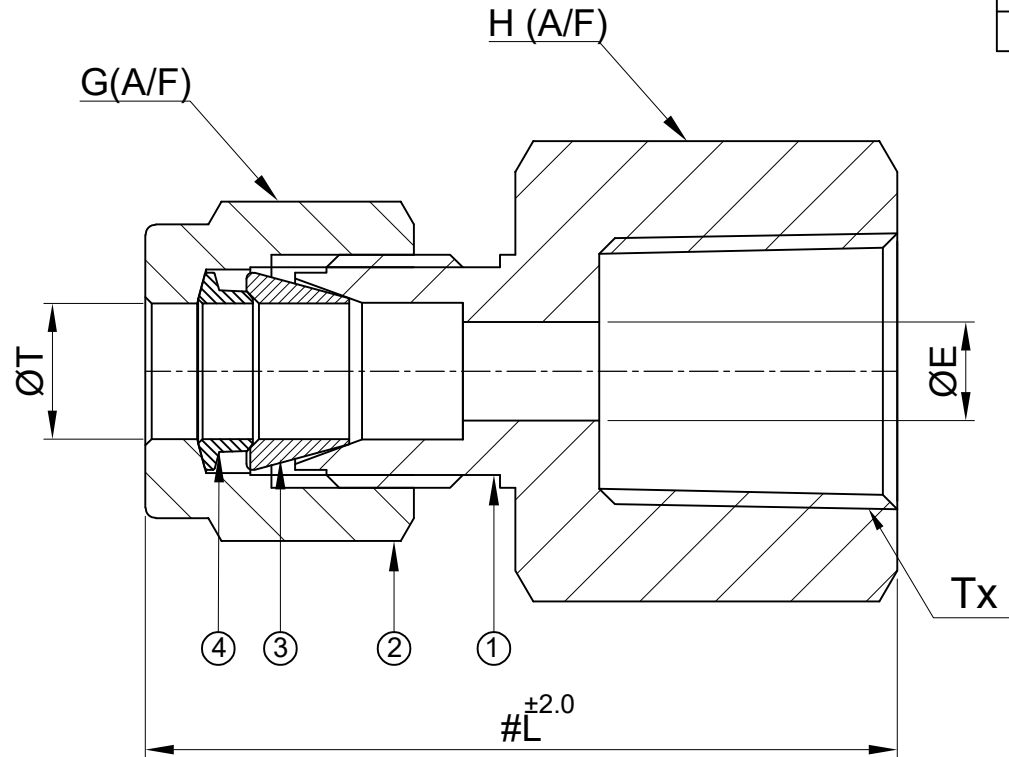


SR NO	DESCRIPTION	QTY	MATERIAL
1	BODY	1	SS 316
2	NUT	1	SS 316
3	FRONT FERRULE	1	SS 316
4	BACK FERRULE	1	SS 316



SR NO	PART NO	T	Tx	L	H (A/F)	G(A/F)	ØE	Pressure Rating (Psig)
2	12MFC8N-S6	12mm	1/2" NPT-F	48.7	27.0	22.0	9.5	6000
5	8MFC8N-S6	8mm	1/2" NPT-F	44.5	27.0	16.0	6.4	6000
11	14MFC4N-S6	14mm	1/4" NPT-F	43.5	25(1")	25(1")	7.1	3000
12	14MFC8N-S6	14mm	1/2" NPT-F	48.4	27.0	25.0	11.1	3000

PART NAME : FEMALE CONNECTOR - TUBE OD x NPT Female Threading				CUSTOMER NAME:-			
DWG NO : GA-FCN-S6				PROJECT NAME:-			
MATERIAL : SS 316				PO NO:-			
ENQ NO: EN2223/01152				SHEET NO: 01 OF 01			
SO NO: -				REV NO: 00			
SCALE: NTS							

	SIGN	DATE
DRAWN BY	SB	13.01.2023
CHECKED BY	VK	13.01.2023
APPROVED BY	SD	13.01.2023



www.havi.in
info@havi.in

* All dimensions are in mm. Dimensions for reference only and are subject to change without notice
* This document is the property of Havi Engineering India Pvt. Ltd. No exploitation or release of any text contained herein or relating to this document is permitted in any form without the written consent of HAVI.

NOTE:
• # MARKED DIMENSION IS IN FINGER TIGHT POSITION.

PATH: Z:\2022-2023\EXPORT\EN222301152\GAD

16 15 14 13 12 11 10 9 8 7 6 5 4 3 2 1