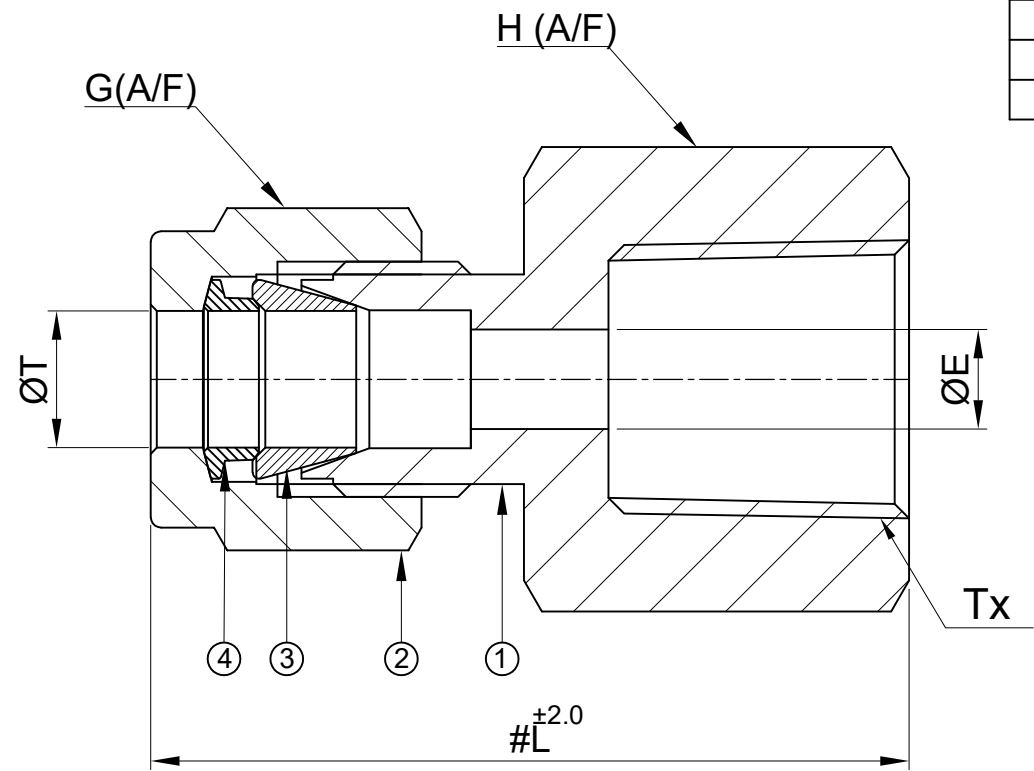


SR NO	DESCRIPTION	QTY	MATERIAL
1	BODY	1	SS 316
2	NUT	1	SS 316
3	FRONT FERRULE	1	SS 316
4	BACK FERRULE	1	SS 316



SR NO	PART NO	T	Tx	L	H (A/F)	G(A/F)	ØE
1	8FC4N-S6	1/2"	1/4" NPT-F	42.0	22.0	22.0	10.3
2	6FC8N-S6	3/8"	1/2" NPT-F	43.5	27.0	17.5	7.1

PATH: -X:\2022-2023\EXPORT\EN2223\00730

NOTE:  
 • # MARKED DIMENSION IS IN FINGER TIGHT POSITION.  
 • NPT THREAD AS PER ANSI B 1.20.1.

	SIGN	DATE
DRAWN BY	VK	31.10.2022
CHECKED BY	SB	31.10.2022
APPROVED BY	SM	31.10.2022

**havi**  
 Fittings & Valves  
 www.havi.in  
 info@havi.in

PART NAME : FEMALE CONNECTOR - TUBE OD x Female Threading				CUSTOMER NAME:-							
DWG NO : GA-FC-S6				PROJECT NAME:-							
MATERIAL : SS 316				PO NO:-							
				ENQ NO: EN2223/00730							
				SHEET NO: 01 OF 01							
REV NO				DESCRIPTION		SIGN		DATE		SO NO: -	
* All dimensions are in mm. Dimensions for reference only and are subject to change without notice											
* This document is the property of Havi Engineering India Pvt. Ltd. No exploitation or release of any text contained herein or relating to this document is permitted in any form without the written consent of HAVI.											
										REV NO: 00	
										SCALE: NTS	