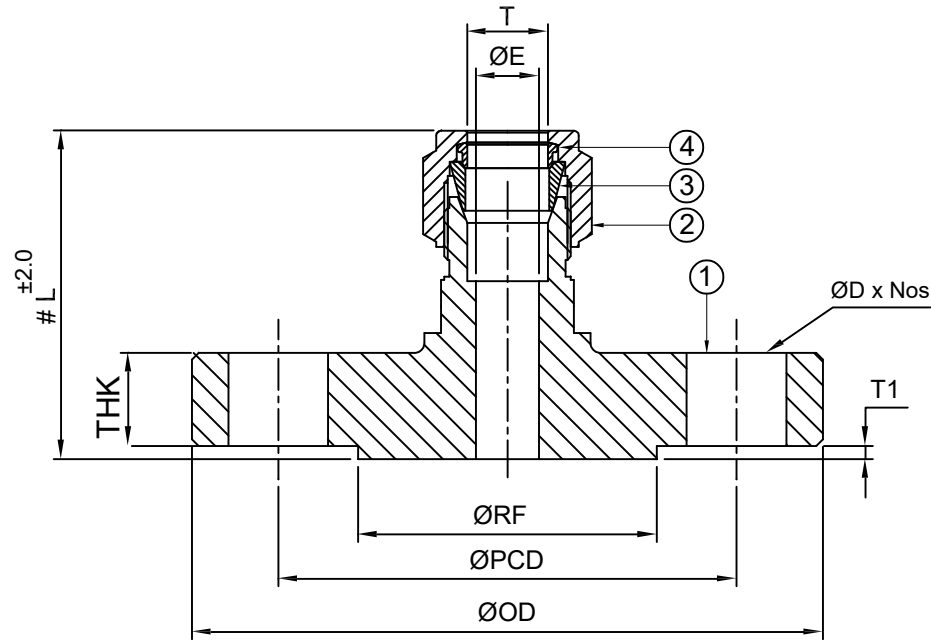


SR NO	DESCRIPTION	QTY	MATERIAL
1	BODY	1	SS 316
2	NUT	1	SS 316
3	FRONT FERRULE	1	SS 316
4	BACK FERRULE	1	SS 316



SR NO	PART NO	FLANGE SIZE	FLANGE RATING	ØOD	ØPCD	ØRF	T1	THK	ØD X Nos	T	ØE	L
1	8FLA32RF300-S6	2"	300#	165	127	92.1	2	20.6	Ø19.05 X 8 Nos	1/2"	10.3	57.0
2	8FLA32RF150-S6	2"	150#	152	120.6	92.1	2	17.5	Ø19.05 X 4 Nos	1/2"	10.3	54.0

PATH: -X:\2022-2023\EXPORT\EN222300764\GAD FOR CLIENT

PART NAME : FLANGE ADAPTOR - TUBE OD x FLANGE RF		CUSTOMER NAME:-	
DWG NO : GA-FLA-S6		PROJECT NAME:-	
MATERIAL : SS 316		End User Name:-	
REV NO		DESCRIPTION	
SIGN		DATE	
DRAWN BY		SIGN	
CHECKED BY		DATE	
APPROVED BY		DATE	
ENQ NO: EN2223/00764		SHEET NO: 01 OF 01	
* All dimensions are in mm. Dimensions for reference only and are subject to change without notice		REV NO: 00	
* This document is the property of Havi Engineering India Pvt. Ltd. No exploitation or release of any text contained herein or relating to this document is permitted in any form without the written consent of HAVI.		SCALE: NTS	

NOTE:
• # MARKED DIMENSION IS IN FINGER TIGHT POSITION.