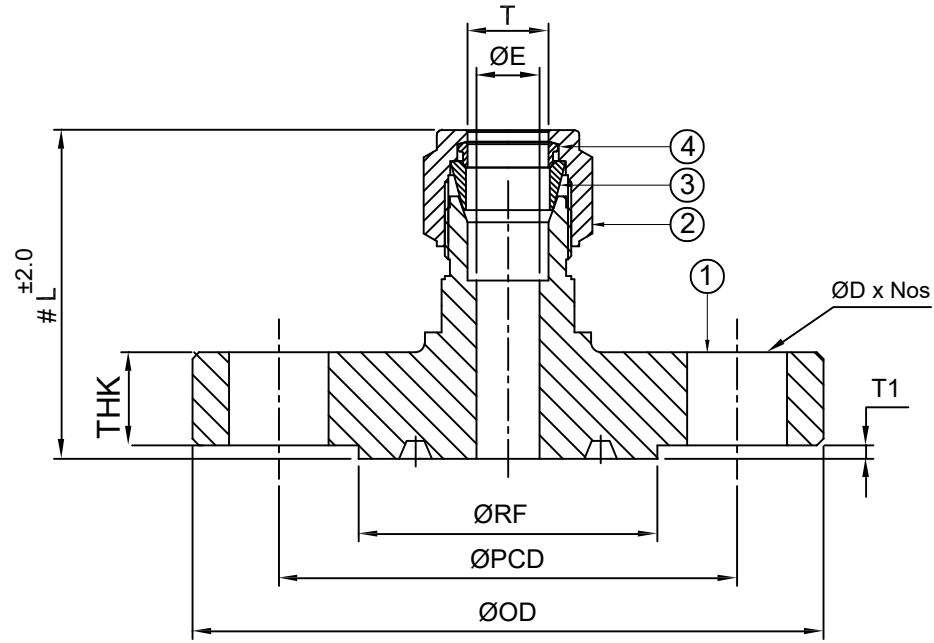


SR NO	DESCRIPTION	QTY	MATERIAL
1	BODY	1	SS 316
2	NUT	1	SS 316
3	FRONT FERRULE	1	SS 316
4	BACK FERRULE	1	SS 316



SR NO	PART NO	FLANGE SIZE	FLANGE RATING	ØOD	ØPCD	ØRF	T1	THK	ØD X Nos	T	ØE	L
1	8FLA32RT1500-S6	2"	1500#	216	165.1	124	7.92	38.1	Ø25.4 X 8 Nos	1/2"	10.3	80.5
2	8FLA16RT600-S6	1"	600#	124	88.9	70	6.35	17.5	Ø19.05 X 4 Nos	1/2"	10.3	58.5

PATH: -X\2022-2023\EXPORT\EN22230076A\GAD FOR CLIENT

NOTE:
 • # MARKED DIMENSION IS IN FINGER TIGHT POSITION.

	SIGN	DATE
DRAWN BY	VK	10.10.2022
CHECKED BY	RW	10.10.2022
APPROVED BY	SM	10.10.2022

havi
 Fittings & Valves
 www.havi.in
 info@havi.in

PART NAME : FLANGE ADAPTOR - TUBE OD x FLANGE RTJ		CUSTOMER NAME:-	
DWG NO : GA-FLART-S6		PROJECT NAME:-	
MATERIAL : SS 316		End User Name:-	
REV NO		DESCRIPTION	
SIGN		DATE	
ENQ NO: EN2223/00764		SO NO: -	
SHEET NO: 01 OF 01		REV NO: 00	
SCALE: NTS			